

# Silk'n™

Beautiful Technology

## SKINVIVID

### I389



EN USER MANUAL

DE BEDIENUNGSANLEITUNG

FR GUIDE DE L'UTILISATEUR

NL GEBRUIKSAANWIJZING

ES MANUAL DE USUARIO

IT MANUALE D'USO

## Legal notice

Home Skinovations Ltd. reserves the right to make changes to its products or specifications to improve performance, reliability, or manufacturability. Information furnished by Home Skinovations Ltd. is believed to be accurate and reliable at the time of publication. However, Home Skinovations Ltd. assumes no responsibility for its use. No license is granted by its implication or otherwise under any patent or patent rights of Home Skinovations Ltd.

No part of this document may be reproduced or transmitted in any form or by any means, electronic or mechanical, for any purpose, without the express written permission of Home Skinovations Ltd. Data is subject to change without notification.

Home Skinovations Ltd. has patents and pending patent applications, trademarks, copyrights, or other intellectual property rights covering subject matter in this document. The furnishing of this document does not give you any license to these patents, trademarks, copyrights, or other intellectual property rights except as expressly provided in any written agreement from Home Skinovations Ltd. Specifications are subject to change without notice.

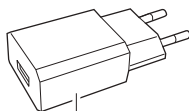
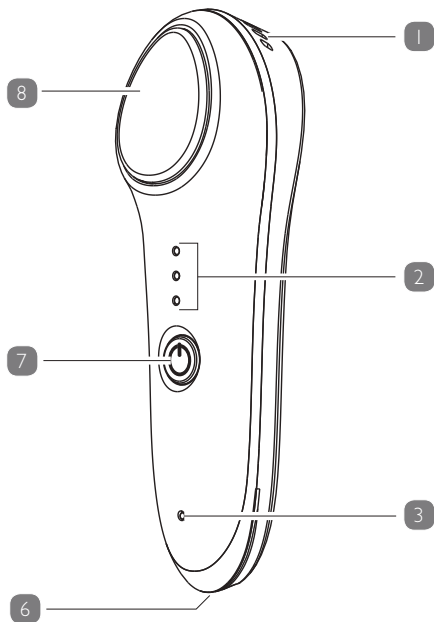
The Silk'n and the Silk'n logo are registered trademarks of Home Skinovations Ltd.

InnoEssentials International,  
Donk IB, 2991 LE Barendrecht, The Netherlands  
[www.silkn.eu](http://www.silkn.eu)  
[info@silkn.com](mailto:info@silkn.com)

# Contents

<b>Overview .....</b>	<b>4</b>
<b>Package contents/device parts .....</b>	<b>5</b>
<b>General information .....</b>	<b>6</b>
Reading and storing the user manual .....	6
Explanation of symbols .....	6
<b>Safety .....</b>	<b>8</b>
Proper use .....	8
Safety instructions.....	8
<b>First use.....</b>	<b>16</b>
Checking the SkinVivid and package contents .....	16
Charging the SkinVivid .....	16
<b>Preparation .....</b>	<b>17</b>
<b>Massage mode (hot, cold, sonic vibration)....</b>	<b>18</b>
Using the hot massage .....	18
Using the cold massage.....	18
<b>Operation.....</b>	<b>19</b>
<b>Tips for daily use .....</b>	<b>20</b>
Morning ritual.....	20
Evening ritual .....	20
<b>Cleaning .....</b>	<b>21</b>
<b>Troubleshooting .....</b>	<b>22</b>
<b>Technical data.....</b>	<b>23</b>
<b>Declaration of conformity.....</b>	<b>23</b>
<b>Disposal .....</b>	<b>24</b>
<b>Warranty information .....</b>	<b>25</b>
<b>Customer service.....</b>	<b>25</b>

A



## Package contents/device parts

- 1 Vent
- 2 Indicator for the massage mode
  - Indicator for hot massage
  - Indicator for cold massage
  - Indicator for sonic vibration
- 3 Charging indicator
- 4 USB mains adapter
- 5 USB charging cable
- 6 Charge connector
- 7 Control knob
- 8 Massage head

## General information

### Reading and storing the user manual



This user manual accompanies the SkinVivid facial massager (hereinafter referred to only as the “SkinVivid”). It contains important information about start-up and handling.

Before using the SkinVivid, read the user manual carefully. This particularly applies to the safety instructions. Failure to comply with this user manual may result in severe injury or damage to the SkinVivid.

The user manual is based on the standards and rules in force in the European Union. When abroad, you must also observe country-specific guidelines and laws.

Store the user manual for future use. If you pass the SkinVivid on to third parties, please be absolutely sure to include this user manual.

You can also request this user manual in PDF format on our website located at [www.silkn.eu](http://www.silkn.eu).

### Explanation of symbols

The following symbols and signal words are used in this user manual, on the SkinVivid or on the packaging.



This signal symbol/word designates a hazard with moderate degree of risk which may lead to death or severe injury if not avoided.



This signal symbol/word designates a hazard with low risk that, if not avoided, may result in minor or moderate injury.

## NOTICE!

This signal word warns against potential damages to property.



This symbol provides you with useful supplementary information about use.



Declaration of conformity (see chapter “Declaration of conformity”): Products marked with this symbol meet all applicable Community regulations for the European Economic Area.



Do not use the SkinVivid near bath tubs, shower trays or other vessels containing water.



This symbol identifies electrical devices that belong to the protection class II (mains adapter).



Electrical devices marked with this symbol are only suitable for use in dry indoor rooms.

# Safety

## Proper use

The SkinVivid is only intended for smoothing, strengthening and improving the elasticity of the skin using hot and cold massage. The SkinVivid is suitable for all skin types. Pregnant persons as well as persons with burns, acne, allergies or skin that is otherwise irritated must not use the SkinVivid.

The SkinVivid is intended for private use only and is not suitable for commercial purposes, e.g. for cosmetic salons. Do not expose the SkinVivid to weather conditions and do not use it in wet rooms. The SkinVivid is not a children's toy.

Only use the SkinVivid as described in this user manual. Any other use is considered improper and may result in damage to property.

InnoEssentials accepts no liability for damage caused by improper or incorrect use.

## Safety instructions



### Risk of electric shock!

A faulty electrical installation or excessive mains voltage may result in an electric shock.

- Only connect the SkinVivid if the mains voltage of the socket corresponds to the rating plate specification.



- Only connect the SkinVivid to an easily accessible socket so that you can quickly disconnect it from the mains supply in the event of a fault.
- Do not operate the SkinVivid if it is visibly damaged or the USB charging cable or the USB mains adapter is defective.
- If the charging cable of the SkinVivid is damaged, it must be replaced with a USB charging cable with the same specifications to avoid risks. Please contact the specialist shop or customer service.
- Do not open the housing; instead, have a qualified professional perform the repairs. Contact a specialist workshop or customer service.
- Liability and warranty claims are waived in the event of repairs performed by the user, improper connection of the device or incorrect operation.
- Only parts that comply with the original device information may be used for repairs. Electrical and mechanical parts, which are essential for providing protection against sources of danger, are located in the SkinVivid.

- Do not immerse the SkinVivid or the USB charging cable or USB mains adapter in water or other liquids.
- Never touch the USB mains adapter with damp hands.
- Never pull the SkinVivid out of the socket by the USB charging cable; instead, always do so by taking hold of the USB mains adapter.
- Keep the SkinVivid, the USB mains adapter and the USB charging cable away from open flames and hot surfaces.
- Do not kink the charging cable and do not lay it over sharp edges.
- Only use the SkinVivid indoors.
- Do not store the SkinVivid in wet rooms and do not in any case expose it to the elements such as rain.
- Never store the SkinVivid such that there is a risk of it falling into a tub or a basin.
- Never reach to retrieve an electrical device connected to the mains supply if it has fallen in water. In such a case, immediately disconnect the USB mains adapter from the socket.

- Never touch the USB mains adapter with damp hands.
- Once the SkinVivid is completely charged or if you would like to clean it, leave the SkinVivid switched off and pull the mains adapter out of the socket.
- Do not go too close to strong magnetic fields with the SkinVivid.
- Do not use the SkinVivid while charging.



### **Risk of explosion and fire!**

Improper handling of the rechargeable battery poses an increased risk of explosion and fire.

- Never expose the SkinVivid to heat such as direct sunlight, open flames or similar.
- Once the SkinVivid is fully charged, pull the USB mains adapter out of the socket.

**WARNING!**

**Danger for children and persons with impaired physical, sensory or mental capacities (e.g. partially disabled persons, older persons with reduced physical and mental capacities) or lack of experience and knowledge (e.g. older children).**

- The following groups of persons must not use the SkinVivid: Children, persons under 16 years of age, adults with impaired physical, sensory or mental abilities or persons lacking experience handling the device.
- Cleaning and user maintenance must not be performed by unsupervised children.
- Keep the SkinVivid and its accessories away from children under 16 years of age.
- The package contents include the packaging wrapper. Keep it away from children as there is a risk of choking if swallowed.

**CAUTION!****Risk of chemical burns!**

Leaked fluid from the rechargeable battery could cause injuries if it comes into contact with skin or other body parts.

- If the rechargeable battery in the SkinVivid has leaked, put on protective gloves and ensure that the fluid from the rechargeable battery does not come into contact with your skin, eyes or mucous membranes.
- In the event of contact with acid from the rechargeable battery, immediately flush the applicable areas with plenty of clean water and consult a physician immediately.

**CAUTION!****Risk of injury!**

Handling the SkinVivid improperly may result in injury.

- Do not use the SkinVivid if you:
  - are pregnant,
  - suffer from neurological diseases,

- have undergone cosmetic surgery in the area of the face,
  - are allergic to cold, heat or soft rubber,
  - have metal, silicon or plastic implants due to fractures or other plastic surgery in the area of the face,
  - are unable to feel heat or are not sensitive to warmth.
- Do not use the SkinVivid if you suffer from the following skin irritation or diseases:
- allergies,
  - acne,
  - eczema,
  - irritated skin, reddening or irritation (including a sun burn),
  - swelling in the area of the face,
  - wounds around the face,
  - psoriasis,
  - neurodermatitis.
- Do not use the SkinVivid near open wounds or to remove warts.
- Immediately discontinue treatment if you experience pain or skin irritation.

- Do not continuously treat your skin with the SkinVivid for more than two to three seconds.
- If you are not sure whether SkinVivid is suitable for you, ask your physician before using it for the first time.

## **NOTICE!**

### **Risk of damage!**

Improper handling of the SkinVivid may result in damage to the SkinVivid.

- Protect the SkinVivid from shocks, extreme temperatures and direct sunlight.
- Only use the SkinVivid with the original accessories.
- Keep the SkinVivid away from corrosive liquids.

## First use

### Checking the SkinVivid and package contents

#### NOTICE!

#### Risk of damage!

If you are not cautious when opening the packaging with a sharp knife or other pointed objects, you may quickly damage the SkinVivid.

– Be very careful when opening the packaging.

1. Take the SkinVivid out of the packaging.
2. Check to make sure that the delivery is complete (see **Fig. A**).
3. Check whether the SkinVivid or the individual parts exhibit damage. If this is the case, do not use the SkinVivid.  
Please contact the local Silk'n service centre (see chapter "Warranty information").

### Charging the SkinVivid



It is normal for the SkinVivid to become warm while charging.

1. Make sure that the SkinVivid is switched off.
2. Completely unwind the USB charging cable **5**.



3. Insert the jack plug of the USB charging cable in the charge connector **6** of the SkinVivid.
4. Insert the USB plug of the USB charging cable in the USB jack of the USB mains adapter **4**.
5. Insert the USB mains adapter in a properly installed socket.  
The charging indicator **3** is illuminated in red during the charging process. The charging time for fully charging the rechargeable battery of the SkinVivid amounts to approx. 3 hours.
6. Once the rechargeable battery is fully charged, the charging indicator will illuminate in blue. Disconnect the SkinVivid from the mains supply.

The rechargeable battery can now be operated for 40 minutes.

## Preparation

1. Before using the SkinVivid, clean your face and the parts of your skin you intend to treat with your usual cleaning products.
2. If necessary, groom your face and the parts of your skin you intend to treat with the usual care lotions and moisture creams.
3. If you would like these skin care products to absorb faster, use the hot mode with sonic vibration after applying the cream (see chapter "Using the hot massage" and "Operation").

## Massage mode (hot, cold, sonic vibration)



Every mode you select runs automatically for 2 ½ minutes. The SkinVivid switches off afterwards.

### Using the hot massage

The SkinVivid's hot massage at 42 °C promotes circulation in the skin and allows skin care products absorb faster for a smoother complexion and improved moisture balance. Also switching sonic vibration on will enhance the effect of the hot massage.

Ideally, you should use this mode after your daily facial cleanse.

### Using the cold massage

The cold massage firms up your skin and reduces pore size at 6 °C. In this mode, the SkinVivid also relieves tense muscles, reduces puffy eyes and wrinkles. Also switching on sonic vibration will enhance the effect of the cold massage.

Ideally, you should use this mode after your daily facial cleanse and complete absorption of your skin care products and before you apply your make-up.



For smoother, more radiant and more supple skin, we recommend alternating between the hot and cold massage.

## Operation



The SkinVivid cannot be used while charging.

1. To switch the SkinVivid on, hold the control knob **7** down for 3 seconds.

A beep sound will be emitted, the top light of the indicator for the massage mode **2** will illuminate in red and indicate that the SkinVivid is in the mode for the hot massage.

2. Push the control knob again to additionally switch on the sound vibration.

A beep tone will sound and, in addition to the top light, the bottom light of the indicator for the massage mode will illuminate in yellow at the same time. The SkinVivid is in the mode for hot massage with sonic vibration.

3. To switch to the mode for cold massage, push the control knob again.

A beep sound will be emitted, the light in the middle of the indicator for the massage mode will illuminate in blue and indicate that the SkinVivid is in the mode for the cold massage.

4. Push the control knob again to additionally switch on the sound vibration.

A beep tone will sound and, in addition to the middle light, the bottom light of the indicator for the massage mode will illuminate in yellow at the same time. The SkinVivid is in the mode for cold massage with sonic vibration.

5. Move the SkinVivid up to your face and place the massage head **8** on the desired part of your face.

6. Depending on the part of your skin you are treating, allow the SkinVivid to glide in circular movements from the inside to the outside or from top to bottom.

7. To switch the SkinVivid off, hold the control knob down for 3 seconds.

A beep tone will be emitted and the lights in the indicator for the massage mode will go out.



It is recommended to fully recharge the SkinVivid after 5 uses for maximum power.

## Tips for daily use

Regardless whether you have dry, oily or sensitive skin, Silk'n SkinVivid is suitable for any type of skin.

### Morning ritual

You can use the hot massage e.g. in the morning after cleaning your face. Then apply your daily care products. Once they have absorbed well, use the cold massage, which e.g. is perfect for relieving puffy eyes and is suitable for creating a smooth base to apply make-up to.

### Evening ritual

Or opt for a complete evening beauty ritual after a stressful day. After cleaning your skin, first use the hot massage to open your pores. Then apply eye gel, a nurturing mask or moisturiser cream. Once your care products have been absorbed, use the cold massage to close your pores and rejuvenate your skin.

## Cleaning

### **NOTICE!**

#### **Risk of damage!**

Using the wrong cleaners and cleaning utensils could damage the SkinVivid.

- Do not use any hard, scratching or scouring cleaners and cleaning utensils.
- Do not immerse the SkinVivid or the USB charging cable or USB mains adapter in water or other liquids and never put any of the parts in the dishwasher.
- Clean the massage head **8** and the SkinVivid with the enclosed cleaning cloth after each use.
- Do not clean the SkinVivid with water.

## Troubleshooting

In the event of an error, see if the following steps resolve the problem:

Fault	Possible causes and solution
The SkinVivid doesn't work.	The rechargeable battery may be empty or not adequately charged. <ul style="list-style-type: none"> <li>– Fully charge the SkinVivid before using it (see chapter "Charging the SkinVivid").</li> </ul>
There are no visible effects.	You have forgotten to clean or groom the skin of your face before use. <ul style="list-style-type: none"> <li>– Clean and groom your skin according to the instructions in the chapter "Preparation".</li> </ul>
	You have not been using the SkinVivid for very long or not on a regular basis. <ul style="list-style-type: none"> <li>– Use the SkinVivid regularly.</li> </ul>

If these steps are not successful or if your SkinVivid has to be repaired, contact our customer service team.


## Technical data

Model:	I389
Article no.:	SVIPEU001
Output:	5.6 W

### Mains adapter

Model:	SC/8WH050100EUU
Input voltage:	100–240 V~, 50/60 Hz, 0.5 A
Output voltage:	5V  , 1000 mA
Protection class:	II

### SkinVivid

Rechargeable battery:	5V  , 800 mAh
Charging time:	approx. 3 h
Operating time:	approx. 40 minutes (on a full charge)
Dimensions (H × W × D):	approx. 15.2 × 4.8 × 4.3 cm
Temperature massage head:	hot massage 42 °C ± 3 °C cold massage 6 °C ± 3 °C
Automatic deactivation:	after 2.5 minutes in any mode
Weight:	approx. 109 g

## Declaration of conformity



The EU declaration of conformity can be requested from the address specified on the back.

# Disposal

## Disposing of the packaging



Dispose of the packaging separated into single type materials. Dispose of cardboard and carton as waste paper and film via the recyclable material collection service.

## Disposing of the SkinVivid

(Applicable in the European Union and other European states with systems for the separate collection of reusable waste materials)

**Old devices must not be disposed of with household waste!**



If the SkinVivid is no longer operational, every consumer is **required by law to dispose of used devices separately from household waste**, e.g. at a collection point run by the communal authority or borough. This ensures that old devices are recycled in a professional manner and also rules out negative consequences for the environment.

For this reason, electrical equipment is marked with the symbol shown here.

**Batteries and rechargeable batteries do not belong in the household waste!**



As the end user you are required by law to bring all batteries and rechargeable batteries, regardless whether they contain harmful substances\* or not, to a collection point run by the communal authority or borough or to a retailer, so that they can be disposed of in an environmentally friendly manner.

\*labelled with: Cd = cadmium, Hg = mercury, Pb = lead



## Warranty information

In accordance with European provisions and laws, this product is covered by a 2-year warranty. The scope of the warranty for this product is limited to technical defects caused by faulty production processes. If you would like to claim warranty coverage, please contact our customer service for instructions. Perhaps they can solve your problem without having to send the product back to the store or our service centre. Our customer service team is happy to assist you!

## Customer service

You can find more information about products from Silk'n on your regional Silk'n website: [www.silkn.eu](http://www.silkn.eu). If the device is damaged or defective, requires repairs or if you need our assistance, please contact the Silk'n service centre in your area. You can also download this user manual as a PDF from [www.silkn.eu](http://www.silkn.eu).

Service number: 0906-2130009 | 0031(0)180-330550

E-mail: [customer-careuk@silkn.eu](mailto:customer-careuk@silkn.eu)



Copyright 2017 © Home Skinovations Ltd. Alle Rechte vorbehalten.

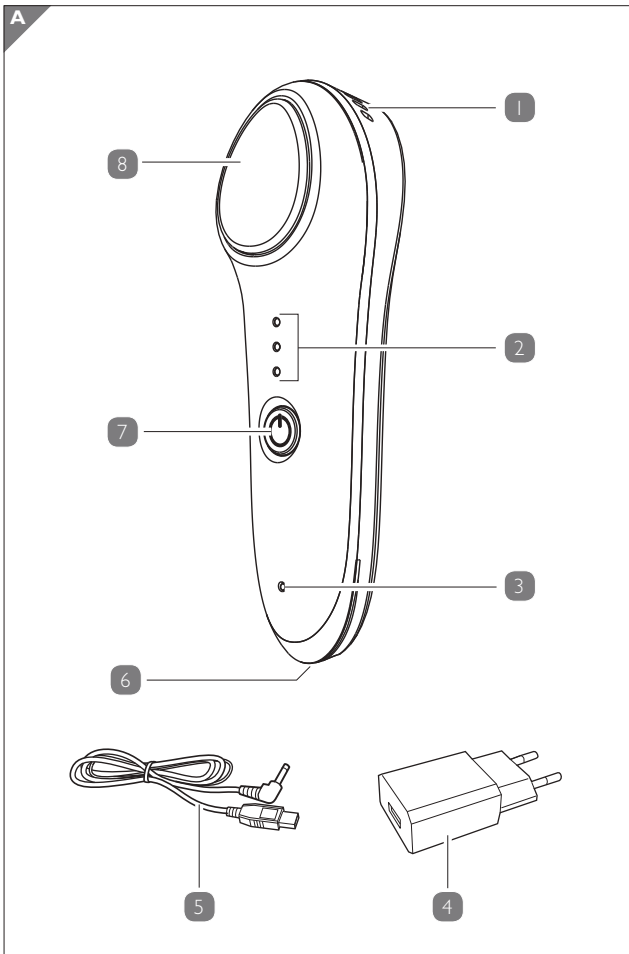
## Rechtlicher Hinweis

Home Skinovations Ltd. behält sich das Recht vor, Änderungen an seinen Produkten oder Spezifikationen zur Verbesserung von Leistung, Betriebssicherheit oder Herstellbarkeit vorzunehmen. Durch Home Skinovations Ltd. bereitgestellte Informationen werden zum Zeitpunkt der Veröffentlichung als korrekt und verlässlich angesehen. Die Home Skinovations Ltd. übernimmt allerdings keine Verantwortung für deren Verwendung. Es wird weder stillschweigend noch unter einem Patent oder unter Patentrechten der Home Skinovations Ltd. eine Lizenz eingeräumt. Kein Teil dieses Dokuments darf in irgendeiner Form oder mit elektronischen oder mechanischen Mitteln für irgendwelche Zwecke ohne ausdrückliche schriftliche Genehmigung der Home Skinovations Ltd. reproduziert oder übertragen werden. Änderungen der Daten ohne Vorankündigung sind vorbehalten. Die Home Skinovations Ltd. verfügt über Patente sowie anhängige Patentanmeldungen, Handelsmarken, Urheberrechte oder sonstige Rechte geistigen Eigentums, welche Gegenstand dieses Dokumentes sind. Die Bereitstellung dieses Dokumentes gibt Ihnen keinerlei Lizenz für diese Patente, Handelsmarken, Urheberrechte oder sonstigen Rechte geistigen Eigentums, sofern dies nicht ausdrücklich in einer schriftlichen Vereinbarung von Home Skinovations Ltd. geregelt ist. Änderung der technischen Daten ohne Vorankündigung vorbehalten. Silk'n und das Silk'n-Logo sind eingetragene Warenzeichen der Home Skinovations Ltd.

InnoEssentials International,  
Donk 1B, 2991 LE Barendrecht, Niederlande  
[www.silkn.eu](http://www.silkn.eu)  
[info@silkn.com](mailto:info@silkn.com)

# Inhaltsverzeichnis

<b>Übersicht</b> .....	<b>29</b>
<b>Lieferumfang/Geräteteile</b> .....	<b>30</b>
<b>Allgemeines</b> .....	<b>31</b>
Bedienungsanleitung lesen und aufbewahren .....	31
Zeichenerklärung.....	31
<b>Sicherheit</b> .....	<b>33</b>
Bestimmungsgemäßer Gebrauch.....	33
Sicherheitshinweise .....	33
<b>Erstinbetriebnahme</b> .....	<b>41</b>
SkinVivid und Lieferumfang prüfen .....	41
SkinVivid aufladen .....	42
<b>Vorbereitung</b> .....	<b>43</b>
<b>Massagemodus</b>	
<b>(Heiß, Kalt, Schallvibration)</b> .....	<b>43</b>
Heiße Massage anwenden.....	43
Kalte Massage anwenden.....	44
<b>Bedienung</b> .....	<b>44</b>
<b>Tipps zum täglichen Gebrauch</b> .....	<b>46</b>
Morgenritual .....	46
Abendritual .....	46
<b>Reinigung</b> .....	<b>47</b>
<b>Fehlersuche</b> .....	<b>48</b>
<b>Technische Daten</b> .....	<b>49</b>
<b>Konformitätserklärung</b> .....	<b>49</b>
<b>Entsorgung</b> .....	<b>50</b>
<b>Garantieinformationen</b> .....	<b>51</b>
<b>Kundenservice</b> .....	<b>51</b>



## Lieferumfang/Geräteteile

- 1 Lüftungsöffnung
- 2 Anzeige für den Massagemodus
  - Anzeige für heiße Massage
  - Anzeige für kalte Massage
  - Anzeige für Schallvibration
- 3 Ladeanzeige
- 4 USB-Netzadapter
- 5 USB-Ladekabel
- 6 Ladeanschluss
- 7 Kontrollknopf
- 8 Massagekopf

# Allgemeines

## Bedienungsanleitung lesen und aufbewahren



Diese Bedienungsanleitung gehört zu dem Gesichtsmassagegerät SkinVivid (im Folgenden nur „SkinVivid“ genannt). Sie enthält wichtige Informationen zur Inbetriebnahme und Handhabung.

Lesen Sie die Bedienungsanleitung, insbesondere die Sicherheitshinweise, sorgfältig durch, bevor Sie den SkinVivid einsetzen. Die Nichtbeachtung dieser Bedienungsanleitung kann zu schweren Verletzungen oder zu Schäden am SkinVivid führen.

Die Bedienungsanleitung basiert auf den in der Europäischen Union gültigen Normen und Regeln. Beachten Sie im Ausland auch landesspezifische Richtlinien und Gesetze.

Bewahren Sie die Bedienungsanleitung für die weitere Nutzung auf. Wenn Sie den SkinVivid an Dritte weitergeben, geben Sie unbedingt diese Bedienungsanleitung mit.

Diese Bedienungsanleitung können Sie auch auf unserer Homepage unter [www.silkn.eu](http://www.silkn.eu) im PDF-Format anfordern.

## Zeichenerklärung

Die folgenden Symbole und Signalwörter werden in dieser Bedienungsanleitung, auf dem SkinVivid oder auf der Verpackung verwendet.



Dieses Signalsymbol/-wort bezeichnet eine Gefährdung mit einem mittleren Risikograd, die, wenn sie nicht vermieden wird, den Tod oder eine schwere Verletzung zur Folge haben kann.



**VORSICHT!**

Dieses Signalsymbol/-wort bezeichnet eine Gefährdung mit einem niedrigen Risikograd, die, wenn sie nicht vermieden wird, eine geringfügige oder mäßige Verletzung zur Folge haben kann.

**HINWEIS!**

Dieses Signalwort warnt vor möglichen Sachschäden.



Dieses Symbol gibt Ihnen nützliche Zusatzinformationen zum Gebrauch.



Konformitätserklärung (siehe Kapitel „Konformitätserklärung“): Mit diesem Symbol gekennzeichnete Produkte erfüllen alle anzuwendenden Gemeinschaftsvorschriften des Europäischen Wirtschaftsraums.



Verwenden Sie den SkinVivid nicht in der Nähe von Badewannen, Duschwannen oder anderen Gefäßen, die Wasser enthalten.



Mit diesem Symbol gekennzeichnete Elektrogeräte gehören der Schutzklasse II an (Netzadapter).



Elektrogeräte, die mit diesem Symbol gekennzeichnet sind, sind nur für den Gebrauch in trockenen Innenräumen geeignet.



# Sicherheit

## Bestimmungsgemäßer Gebrauch

Der SkinVivid dient ausschließlich zur Glättung, Stärkung sowie Verbesserung der Elastizität der Haut mittels heißer und kalter Massage. Der SkinVivid eignet sich für alle Hauttypen. Schwangere Frauen sowie Personen mit Hautverbrennungen, Akne, Allergien oder mit anderweitig gereizter Haut dürfen den SkinVivid nicht nutzen.

Der SkinVivid ist ausschließlich für den Privatgebrauch bestimmt und für die gewerbliche Anwendung, z. B. in Kosmetiksalons, nicht geeignet. Setzen Sie den SkinVivid keinen Witterungsbedingungen aus und verwenden Sie ihn nicht in Feuchträumen. Der SkinVivid ist kein Kinderspielzeug.

Verwenden Sie den SkinVivid nur wie in dieser Bedienungsanleitung beschrieben. Jede andere Verwendung gilt als nicht bestimmungsgemäß und kann zu Sachschäden führen.

InnoEssentials übernimmt keine Haftung für Schäden, die durch nicht bestimmungsgemäßen oder falschen Gebrauch entstanden sind.

## Sicherheitshinweise



### **Stromschlaggefahr!**

Fehlerhafte Elektroinstallation oder zu hohe Netzspannung können zu elektrischem Stromschlag führen.

- Schließen Sie den SkinVivid nur an, wenn die Netzspannung der Steckdose mit der Angabe auf dem Typenschild übereinstimmt.
- Schließen Sie den SkinVivid nur an eine gut zugängliche Steckdose an, damit Sie ihn bei einem Störfall schnell vom Stromnetz trennen können.
- Betreiben Sie den SkinVivid nicht, wenn er sichtbare Schäden aufweist oder das USB-Ladekabel bzw. der USB-Netzadapter defekt ist.
- Wenn das Ladekabel des SkinVivid beschädigt ist, muss es durch ein USB-Ladekabel mit den gleichen Spezifikationen ersetzt werden, um Gefährdungen zu vermeiden. Wenden Sie sich an den Fachhandel oder an den Kundendienst.
- Öffnen Sie das Gehäuse nicht, sondern überlassen Sie die Reparatur Fachkräften. Wenden Sie sich dazu an eine Fachwerkstatt oder an den Kundendienst.
- Bei eigenständig durchgeführten Reparaturen, unsachgemäßem Anschluss oder falscher Bedienung sind Haftungs- und Garantieansprüche ausgeschlossen.

- Bei Reparaturen dürfen nur Teile verwendet werden, die den ursprünglichen Gerätedaten entsprechen. Im SkinVivid befinden sich elektrische und mechanische Teile, die zum Schutz gegen Gefahrenquellen unerlässlich sind.
- Tauchen Sie weder den SkinVivid noch USB-Ladekabel oder USB-Netzadapter in Wasser oder andere Flüssigkeiten.
- Fassen Sie den USB-Netzadapter niemals mit feuchten Händen an.
- Ziehen Sie den SkinVivid nie am USB-Ladekabel aus der Steckdose, sondern fassen Sie immer den USB-Netzadapter an.
- Halten Sie den SkinVivid, den USB-Netzadapter und das USB-Ladekabel von offenem Feuer und heißen Flächen fern.
- Knicken Sie das Ladekabel nicht und legen Sie es nicht über scharfe Kanten.
- Verwenden Sie den SkinVivid nur in Innenräumen.
- Bewahren Sie den SkinVivid nicht in Feuchträumen auf und setzen Sie ihn keineswegs Witterungseinflüssen wie z. B. Regen aus.
- Lagern Sie den SkinVivid nie so, dass er in eine Wanne oder in ein Waschbecken fallen kann.

- Greifen Sie niemals nach einem ans Stromnetz angeschlossenen Elektrogerät, wenn es ins Wasser gefallen ist. Ziehen Sie in einem solchen Fall sofort den USB-Netzadapter aus der Steckdose.
- Fassen Sie den USB-Netzadapter niemals mit feuchten Händen an.
- Wenn der SkinVivid vollständig aufgeladen ist bzw. Sie ihn reinigen möchten, lassen Sie den SkinVivid ausgeschaltet und ziehen Sie den Netzadapter aus der Steckdose.
- Nähern Sie sich mit dem SkinVivid nicht starken Magnetfeldern.
- Verwenden Sie den SkinVivid nicht während des Ladevorgangs.



## **Explosions- und Brandgefahr!**

Unsachgemäßer Umgang mit dem Akku erhöht die Explosions- und Brandgefahr.

- Setzen Sie den SkinVivid niemals Hitze wie z. B. direkter Sonneneinstrahlung, offenem Feuer o. Ä. aus.

- Wenn der SkinVivid vollständig aufgeladen ist, ziehen Sie den USB-Netzadapter aus der Steckdose.

**WARNUNG!**

**Gefahren für Kinder und Personen mit verringerten physischen, sensorischen oder mentalen Fähigkeiten (beispielsweise teilweise Behinderte, ältere Personen mit Einschränkung ihrer physischen und mentalen Fähigkeiten) oder Mangel an Erfahrung und Wissen (beispielsweise ältere Kinder).**

- Die folgenden Personengruppen dürfen den SkinVivid nicht verwenden: Kinder, Personen unter 16 Jahren, Erwachsene mit eingeschränkten physischen, sensorischen oder psychischen Fähigkeiten und Personen, die über keine ausreichende Erfahrung im Umgang mit dem Gerät verfügen.
- Reinigung und Benutzerwartung dürfen nicht von Kindern ohne Beaufsichtigung durchgeführt werden.

- Halten Sie den SkinVivid und sein Zubehör von Kindern unter 16 Jahren fern.
- Zum Lieferumfang gehört Verpackungsfolie. Halten Sie sie von Kindern fern, da beim Verschlucken Erstickungsgefahr besteht.



### **Verätzungsgefahr!**

Auslaufende Akkuflüssigkeit kann bei Berührung mit der Haut oder anderen Körperteilen Verletzungen verursachen.

- Wenn der Akku im SkinVivid ausgelaufen ist, ziehen Sie Schutzhandschuhe an und vermeiden Sie den Kontakt von Akkuflüssigkeit mit Haut, Augen und Schleimhäuten.
- Wenn Sie mit Akkusäure in Berührung gekommen sind, spülen Sie die betroffenen Stellen sofort mit reichlich klarem Wasser ab und suchen Sie umgehend einen Arzt auf.

**VORSICHT!**

## **Verletzungsgefahr!**

Der unsachgemäße Umgang mit dem SkinVivid kann zu Verletzungen führen.

- Benutzen Sie den SkinVivid nicht, wenn Sie:
  - schwanger sind,
  - unter neurologischen Erkrankungen leiden,
  - sich einer Schönheitsoperation im Gesichtsbereich unterzogen haben,
  - allergisch auf Kälte, Hitze oder weiches Gummi sind,
  - Metall-, Silikon- oder Plastikimplantate aufgrund von Knochenbrüchen oder anderen plastischen Operationen im Gesichtsbereich tragen,
  - keine Hitze spüren können bzw. gegen Wärme unempfindlich sind.
- Benutzen Sie den SkinVivid nicht bei den folgenden Hautirritationen bzw. -erkrankungen:
  - Allergie,
  - Akne,
  - Ekzemen,

- Hautentzündungen, -rötungen oder -reizungen (auch Sonnenbrand),
  - Schwellungen im Gesichtsbereich,
  - Wunden im Gesichtsbereich,
  - Schuppenflechte,
  - Neurodermitis.
- 
- Benutzen Sie den SkinVivid nicht in der Nähe offener Wunden oder zur Entfernung von Warzen.
  - Brechen Sie die Behandlung sofort ab, wenn Schmerzen oder Hautreizungen auftreten.
  - Behandeln Sie Ihre Haut nicht länger als zwei bis drei Sekunden durchgehend mit dem SkinVivid.
  - Wenn Sie sich nicht sicher sind, ob der SkinVivid für Sie geeignet ist, fragen Sie Ihren Arzt vor der erstmaligen Benutzung.



## HINWEIS!

### **Beschädigungsgefahr!**

Unsachgemäßer Umgang mit dem SkinVivid kann zu Beschädigungen des SkinVivids führen.

- Schützen Sie den SkinVivid vor Stößen, extremen Temperaturen und direkter Sonneneinstrahlung.
- Benutzen Sie den SkinVivid nur mit dem Originalzubehör.
- Halten Sie den SkinVivid von korrosiven Flüssigkeiten fern.

## **Erstinbetriebnahme**

### **SkinVivid und Lieferumfang prüfen**

## HINWEIS!

### **Beschädigungsgefahr!**

Wenn Sie die Verpackung unvorsichtig mit einem scharfen Messer oder anderen spitzen Gegenständen öffnen, kann der SkinVivid schnell beschädigt werden.

- Gehen Sie beim Öffnen sehr vorsichtig vor.

1. Nehmen Sie den SkinVivid aus der Verpackung.
2. Prüfen Sie, ob die Lieferung vollständig ist (siehe **Abb. A**).
3. Prüfen Sie, ob der SkinVivid oder die Einzelteile Schäden aufweisen. Ist dies der Fall, benutzen Sie den SkinVivid nicht.  
Wenden Sie sich bitte an das Silk'n-Servicezentrum in Ihrer Nähe (siehe Kapitel „Garantieinformationen“).

## SkinVivid aufladen



Es ist normal, dass sich der SkinVivid während des Ladevorgangs erwärmt.

1. Stellen Sie sicher, dass der SkinVivid ausgeschaltet ist.
2. Wickeln Sie das USB-Ladekabel **5** vollständig auseinander.
3. Stecken Sie den Klinkenstecker des USB-Ladekabels in den Ladeanschluss **6** des SkinVivids.
4. Stecken Sie den USB-Stecker des USB-Ladekabels in die USB-Buchse des USB-Netzadapters **4**.
5. Stecken Sie den USB-Netzadapter in eine ordnungsgemäß installierte Steckdose.  
Die Ladeanzeige **3** leuchtet während des Aufladevorgangs rot. Der SkinVivid benötigt für eine vollständige Aufladung des Akkus ca. 3 Stunden.
6. Ist der Akku vollständig aufgeladen, leuchtet die Ladeanzeige blau. Trennen Sie den SkinVivid vom Stromnetz.  
Der Akku weist jetzt eine Betriebszeit von 40 Minuten auf.

## Vorbereitung

1. Reinigen Sie vor der Anwendung des SkinVivids Ihr Gesicht und die zu behandelnden Hautpartien mit Ihren gewohnten Reinigungsprodukten.
2. Pflegen Sie ggf. Ihr Gesicht und die zu behandelnden Hautpartien anschließend mit Ihren gewohnten Pflegelotionen und Feuchtigkeitscremes.
3. Möchten Sie, dass diese Hautpflegeprodukte schneller einziehen, wenden Sie nach dem Eincremen den heißen Modus mit Schallvibration an (siehe Kapitel „Heißen Modus anwenden“ und „Bedienung“).

## Massagemodus (Heiß, Kalt, Schallvibration)



Jeder Modus, den Sie auswählen, läuft automatisch für 2 ½ Minuten. Danach schaltet sich der SkinVivid aus.

### Heiße Massage anwenden

Die heiße Massage fördert der SkinVivid bei 42 °C die Durchblutung der Haut und lässt Hautpflegeprodukte für einen glatteren Teint und verbesserten Feuchtigkeitshaushalt schneller einziehen. Schalten Sie zusätzlich die Schallvibration ein, wird der Effekt der heißen Massage verstärkt.

Nutzen Sie diesen Modus am besten nach der täglichen Gesichtereinigung.

## Kalte Massage anwenden

Die kalte Massage strafft bei 6 °C die Haut und verkleinert die Poren. Außerdem löst der SkinVivid in diesem Modus muskuläre Verspannungen, lindert Augenschwellungen und verringert Falten. Schalten Sie zusätzlich die Schallvibration ein, wird der Effekt der kalten Massage verstärkt.

Nutzen Sie diesen Modus am besten nach der täglichen Gesichtereinigung sowie dem vollständigen Einziehen Ihrer Hautpflegeprodukte und noch vor dem Auftragen Ihres Make-Ups.



Um eine noch glattere, strahlendere und geschmeidigere Haut zu bekommen, empfehlen wir die abwechselnde Anwendung von heißer und kalter Massage.

## Bedienung



Während der SkinVivid geladen wird, kann er nicht benutzt werden.

1. Um den SkinVivid einzuschalten, halten Sie den Kontrollknopf **7** für 3 Sekunden gedrückt.

Es ertönt ein Beep-Ton, das oberste Lämpchen der Anzeige für den Massagemodus **2** leuchtet rot und zeigt damit an, dass der SkinVivid im Modus für heiße Massage ist.

2. Um zusätzlich die Schallvibration anzuschalten, drücken Sie den Kontrollknopf erneut.

Es ertönt ein Beep-Ton und neben dem obersten Lämpchen leuchtet jetzt gleichzeitig das unterste Lämpchen der Anzeige für den Massagemodus in der Farbe Gelb. Der SkinVivid ist im Modus für heiße Massage mit Schallvibration.

- Um in den Modus für kalte Massage zu wechseln, drücken Sie den Kontrollknopf erneut.

Es ertönt ein Beep-Ton, das mittlere Lämpchen der Anzeige für den Massagemodus leuchtet blau und zeigt damit an, dass der SkinVivid im Modus für kalte Massage ist.

- Um zusätzlich die Schallvibration anzuschalten, drücken Sie den Kontrollknopf erneut.

Es ertönt ein Beep-Ton und neben dem mittleren Lämpchen leuchtet jetzt gleichzeitig das unterste Lämpchen der Anzeige für den Massagemodus in der Farbe Gelb. Der SkinVivid ist im Modus für kalte Massage mit Schallvibration.

- Führen Sie den SkinVivid an Ihr Gesicht und legen Sie den Massagekopf **8** auf die gewünschte Gesichtspartie.

- Lassen Sie den SkinVivid je nach Hautpartie in kreisenden Bewegungen, von innen nach außen oder von oben nach unten gleiten.

- Um den SkinVivid auszuschalten, halten Sie den Kontrollknopf für 3 Sekunden gedrückt.

Es ertönt ein Beep-Ton und die Lämpchen in der Anzeige für den Massagemodus erlöschen.



Es ist empfehlenswert, den SkinVivid nach 5 Anwendungen wieder aufzuladen, um die optimale Leistung durch volle Akkukapazität zu erzielen.

## Tipps zum täglichen Gebrauch

Unabhängig davon, ob Sie eine trockene, fettige oder empfindliche Haut haben, Silk'n SkinVivid ist für jeden Hauttyp geeignet.

### Morgenritual

Sie können die heiße Massage beispielsweise morgens nach der Reinigung Ihres Gesichts verwenden. Anschließend tragen Sie Ihre Tagespflege auf. Wenn diese gut eingezogen ist, verwenden Sie die kalte Massage, die beispielsweise ideal zur Linderung von geschwollenen Augen und zur Schaffung eines glatten Untergrundes zum Auftragen von Make-up geeignet ist.

### Abendritual

Oder entscheiden Sie sich für ein vollständiges Schönheitsritual am Abend, nach einem anstrengenden Tag. Verwenden Sie nach der Reinigung Ihres Gesichts zunächst die heiße Massage, durch die sich Ihre Poren öffnen. Tragen Sie anschließend ein Augengel, eine pflegende Maske oder eine Feuchtigkeitscreme auf. Wenn Ihre Pflegeprodukte gut eingezogen sind, wenden Sie zum Schließen der Poren und zur Verjüngung der Haut die kalte Massage an.

# Reinigung

## HINWEIS!

### Beschädigungsgefahr!

Wenn Sie die falschen Reinigungsmittel und Reinigungsgegenstände verwenden, können Sie den SkinVivid beschädigen.

- Verwenden Sie keine harten, kratzenden oder scheuernden Reinigungsmittel und Reinigungsgegenstände.
- Tauchen Sie weder den SkinVivid noch USB-Ladekabel oder USB-Netzadapter in Wasser oder andere Flüssigkeiten und geben Sie die Teile niemals in die Spülmaschine.
- Reinigen Sie den Massagekopf **8** und den SkinVivid nach jedem Gebrauch mit dem mitgelieferten Reinigungstuch.
- Reinigen Sie den SkinVivid nicht mit Wasser.

## Fehlersuche

Versuchen Sie im Fehlerfall zunächst, sich mit den folgenden Maßnahmen zu behelfen:

Fehler	Mögliche Ursachen und Abhilfe
Der SkinVivid funktioniert nicht.	<p>Möglicherweise ist der Akku leer oder nicht ausreichend geladen.</p> <ul style="list-style-type: none"> <li>– Laden Sie den SkinVivid vor dem Gebrauch vollständig auf (siehe Kapitel „SkinVivid aufladen“).</li> </ul>
Es sind keine sichtbaren Effekte zu verzeichnen.	<p>Sie haben vergessen, Ihre Gesichtshaut vor der Anwendung zu reinigen sowie zu pflegen.</p> <ul style="list-style-type: none"> <li>– Reinigen und pflegen Sie Ihre Haut entsprechend den Anweisungen im Kapitel „Vorbereitung“.</li> </ul>
	<p>Sie wenden den SkinVivid noch nicht lange an bzw. nicht regelmäßig.</p> <ul style="list-style-type: none"> <li>– Wenden Sie den SkinVivid regelmäßig an.</li> </ul>

Wenn diese Maßnahmen nicht zum Erfolg geführt haben oder Ihr SkinVivid repariert werden muss, nehmen Sie Kontakt mit dem Kundendienst auf.



## Technische Daten

Modell:	I 389
Artikel-Nr.:	SV I PEU001
Leistung:	5,6 W

### Netzadapter

Modell:	SC/8WH050100EUU
Eingangsspannung:	100–240 V~; 50/60 Hz; 0,5 A
Ausgangsspannung:	5V $\overline{=}$ , 1000 mA
Schutzklasse:	II

### SkinVivid

Akku:	5V $\overline{=}$ , 800 mAh
Aufladedauer:	ca. 3 h
Betriebsdauer:	ca. 40 Min. (bei vollständiger Ladung)
Maße (H × B × T):	ca. 15,2 × 4,8 × 4,3 cm
Temperatur Massagekopf:	heiße Massage 42 °C ± 3 °C kalte Massage 6 °C ± 3 °C
Automatische Abschaltung:	nach 2,5 Minuten in jedem Modus
Gewicht:	ca. 109 g

## Konformitätserklärung



Die EU-Konformitätserklärung kann unter der auf der Rückseite angeführten Adresse angefordert werden.

# Entsorgung

## Verpackung entsorgen



Entsorgen Sie die Verpackung sortenrein. Geben Sie Pappe und Karton zum Altpapier, Folien in die Wertstoffsammlung.

## SkinVivid entsorgen

(Anwendbar in der Europäischen Union und anderen europäischen Staaten mit Systemen zur getrennten Sammlung von Wertstoffen)

### Altgeräte dürfen nicht in den Hausmüll!



Sollte der SkinVivid einmal nicht mehr benutzt werden können, so ist jeder Verbraucher **gesetzlich verpflichtet, Altgeräte getrennt vom Hausmüll**, z. B. bei einer Sammelstelle seiner Gemeinde/seines Stadtteils, abzugeben. Damit wird gewährleistet, dass Altgeräte fachgerecht verwertet und negative Auswirkungen auf die Umwelt vermieden werden. Deswegen sind Elektrogeräte mit dem hier abgebildeten Symbol gekennzeichnet.

### Batterien und Akkus dürfen nicht in den Hausmüll!



Als Verbraucher sind Sie gesetzlich verpflichtet, alle Batterien und Akkus, egal ob sie Schadstoffe\* enthalten oder nicht, bei einer Sammelstelle in Ihrer Gemeinde/Ihrem Stadtteil oder im Handel abzugeben, damit sie einer umweltschonenden Entsorgung zugeführt werden können.

\*gekennzeichnet mit: Cd = Cadmium, Hg = Quecksilber, Pb = Blei

## Garantieinformationen

Dieses Produkt wird nach den europäischen Regelungen und Gesetzen von einer 2-Jahres-Garantie abgedeckt. Der Umfang der Garantie auf dieses Produkt beschränkt sich auf technische Mängel, die durch fehlerhafte Produktionsprozesse verursacht wurden. Wenn Sie Anspruch auf Garantie erheben wollen, achten Sie bitte darauf, bei unserem Kundenservice Anweisungen einzuholen. Er kann Ihr Problem vielleicht lösen, ohne dass das Produkt an das Geschäft oder unser Servicezentrum zurückgeschickt werden muss. Unser Kundenservice hilft Ihnen immer gern!

## Kundenservice

Weitere Informationen über die Produkte von Silk'n finden Sie auf Ihrer regionalen Silk'n-Webseite: [www.silkn.eu](http://www.silkn.eu). Wenn das Gerät beschädigt oder defekt ist, eine Reparatur benötigt oder Sie unsere Hilfe brauchen, wenden Sie sich bitte an das Silk'n-Servicezentrum in Ihrer Nähe. Sie können dieses Benutzerhandbuch auch von [www.silkn.eu](http://www.silkn.eu) als PDF herunterladen.

Servicenummer: 089 51 23 44 23 | 0031(0)180-330550

E-Mail: [kundenservice@inno-essentials.de](mailto:kundenservice@inno-essentials.de) / [info@silkn.com](mailto:info@silkn.com)



Copyright 2017 © Home Skinovations Ltd. Tous droits réservés.

## Mentions légales

Home Skinovations Ltd. se réserve le droit d'apporter des changements à ses produits ou aux spécifications de ses produits afin d'en améliorer la performance, la fiabilité ou la productibilité. Tous les renseignements fournis par Home Skinovations Ltd. au moment de leur publication ont été établis de bonne foi et sont exacts et fiables. Home Skinovations Ltd. décline néanmoins toute responsabilité au regard leur utilisation. Aucune licence n'est implicitement accordée ou accordée autrement en vertu de tout brevet ou droit de brevet de Home Skinovations Ltd.

Aucune partie de ce document ne peut être reproduite, ni transmise sous quelque forme que ce soit ou par quelque procédé électronique ou mécanique, sans l'accord écrit de Home Skinovations Ltd. Les données sont sujettes à changement sans préavis.

Home Skinovations Ltd. détient les brevets et les brevets en instance, la marque de commerce, les droits réservés ou d'autres droits de propriété intellectuelle afférents au sujet de ce document. La délivrance de ce document ne vous confère aucune licence sur ces brevets, marques commerciales, droits d'auteur ou autres droits de propriété intellectuelle hormis ceux expressément accordés par contrat écrit avec Home Skinovations Ltd. Les spécifications sont sujettes à changement sans préavis.

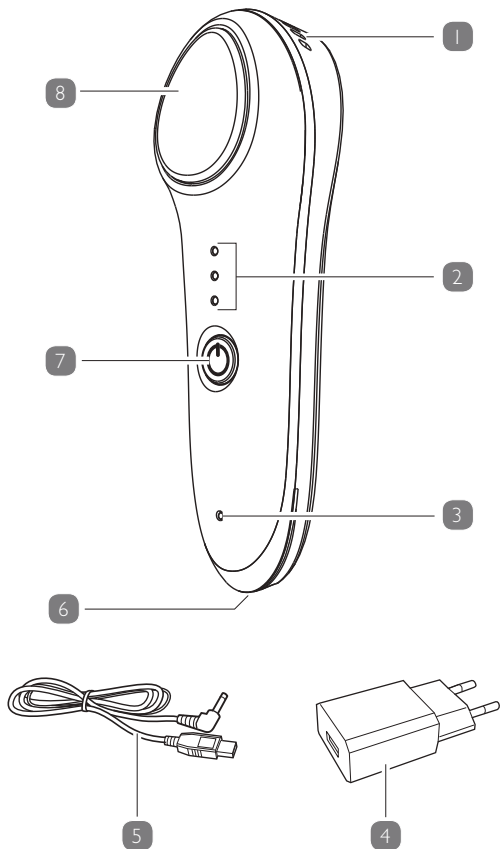
Silk'n et le logo Silk'n sont des marques déposées de la Home Skinovations Ltd.

InnoEssentials International,  
Donk 1B, 2991 LE Barendrecht,  
Les Pays-Bas

[www.silkn.eu](http://www.silkn.eu)  
[info@silkn.com](mailto:info@silkn.com)

# Sommaire

<b>Aperçu .....</b>	<b>55</b>
<b>Contenu de l'emballage/pièces de l'appareil...</b>	<b>56</b>
<b>Généralités.....</b>	<b>57</b>
Lire le guide de l'utilisateur et le conserver.....	57
Légende des symboles .....	57
<b>Sécurité .....</b>	<b>59</b>
Utilisation conforme à l'usage prévu .....	59
Consignes de sécurité.....	60
<b>Première mise en service.....</b>	<b>67</b>
Vérifier le SkinVivid et le contenu de l'emballage...	67
Charger le SkinVivid.....	68
<b>Préparation .....</b>	<b>69</b>
<b>Mode massage</b>	
<b>(chaud, froid, vibrations acoustiques).....</b>	<b>69</b>
Appliquer un massage chaud.....	69
Appliquer un massage froid .....	70
<b>Utilisation.....</b>	<b>70</b>
<b>Conseils pour l'utilisation quotidienne .....</b>	<b>72</b>
Rituel du matin .....	72
Rituel du soir .....	72
<b>Nettoyage.....</b>	<b>73</b>
<b>Pannes et solutions .....</b>	<b>74</b>
<b>Données techniques.....</b>	<b>75</b>
<b>Déclaration de conformité.....</b>	<b>75</b>
<b>Recyclage.....</b>	<b>76</b>
<b>Informations sur la garantie.....</b>	<b>77</b>
<b>SAV.....</b>	<b>77</b>

**A**

## Contenu de l'emballage/pièces de l'appareil

- 1 Orifice d'aération
- 2 Indicateur pour le mode massage
  - Indicateur pour le massage chaud
  - Indicateur pour le massage froid
  - Indicateur pour les vibrations acoustiques
- 3 Indicateur de charge
- 4 Adaptateur secteur USB
- 5 Câble de chargement USB
- 6 Borne de chargement
- 7 Bouton de contrôle
- 8 Tête de massage



## Généralités

### Lire le guide de l'utilisateur et le conserver



Ce guide de l'utilisateur fait partie de ce masseur facial SkinVivid (appelé seulement « SkinVivid » par la suite).

Il contient des informations importantes pour la mise en service et la manipulation.

Lisez attentivement le guide de l'utilisateur, en particulier les consignes de sécurité, avant d'utiliser le SkinVivid. Le non-respect de ce guide de l'utilisateur peut provoquer de graves blessures ou endommager le SkinVivid.

Le guide de l'utilisateur est basé sur les normes et réglementations en vigueur dans l'Union européenne. À l'étranger, veuillez respecter les directives et lois spécifiques au pays.

Conservez le guide de l'utilisateur pour consultation ultérieure. Si vous transmettez le SkinVivid à des tiers, joignez obligatoirement ce guide de l'utilisateur.

Ce guide de l'utilisateur peut également être téléchargé au format PDF sur notre site Web [www.silkn.eu](http://www.silkn.eu).

### Légende des symboles

Les symboles et mots de signalisation suivants sont utilisés dans ce guide de l'utilisateur, sur le SkinVivid ou sur l'emballage.



Ce symbole/mot de signalisation désigne un danger avec un degré moyen de risque qui, s'il n'est pas évité, peut causer la mort ou de graves blessures.



Ce symbole/mot de signalisation désigne un danger avec un degré faible de risque qui, s'il n'est pas évité, peut causer des blessures moyennes à faibles.

## AVIS !

Ce mot de signalisation avertit de la possibilité de dommages matériels.



Ce symbole vous donne des informations supplémentaires utiles sur l'utilisation.



Déclaration de conformité (voir chapitre « Déclaration de conformité ») : Les produits désignés par ce symbole sont conformes à toutes les dispositions communautaires applicables de l'Espace Économique Européen.



N'utilisez pas le SkinVivid à proximité de baignoires, de bacs à douche ou d'autres récipients contenant de l'eau.



Les appareils électriques portant ce symbole font partie de la classe de protection II (adaptateur secteur).



Les appareils électriques portant ce symbole ne conviennent qu'à un emploi dans des locaux intérieurs secs.

# Sécurité

## Utilisation conforme à l'usage prévu

Le SkinVivid sert uniquement à lisser, renforcer et améliorer l'élasticité de la peau au moyen d'un massage chaud ou froid. Le SkinVivid convient à tous les types de peau. Les femmes enceintes ainsi que les personnes ayant des brûlures de la peau, de l'acné, des allergies ou une peau irritée de quelque manière que ce soit n'ont pas le droit d'utiliser le SkinVivid.

Le SkinVivid est uniquement destiné à l'usage privé et ne convient pas à une application commerciale, par ex. dans un salon de beauté. N'exposez pas le SkinVivid aux intempéries et ne l'utilisez pas dans des pièces d'eau. Le SkinVivid n'est pas un jouet pour enfants.

Utilisez le SkinVivid uniquement tel que décrit dans ce guide de l'utilisateur. Toute autre utilisation est considérée comme non conforme à l'usage prévu et peut causer des dommages matériels.

InnoEssentials décline toute responsabilité pour des dommages survenus par une utilisation non conforme ou contraire à l'usage prévu.

## Consignes de sécurité



### Risque de choc électrique !

Une installation électrique défectueuse ou une tension réseau trop élevée peut provoquer un choc électrique.

- Ne branchez le SkinVivid que si la tension réseau de la prise de courant correspond à l'indication sur la plaque d'identification.
- Ne branchez le SkinVivid que sur une prise de courant bien accessible afin de pouvoir le couper rapidement du réseau électrique en cas de panne.
- N'utilisez pas le SkinVivid s'il présente des dommages visibles ou si le câble de chargement USB ou l'adaptateur secteur USB sont défectueux.
- Si le câble de chargement du SkinVivid est endommagé, il doit être remplacé par un câble de chargement USB ayant les mêmes spécifications pour éviter des dangers. Adressez-vous au commerce spécialisé ou au SAV.

- N'ouvrez pas le boîtier, laissez effectuer la réparation par des professionnels.  
Adressez-vous pour ceci à un atelier de professionnels ou au SAV.
- En cas de réparations à sa propre initiative, de branchement non conforme ou d'utilisation incorrecte, toute prétention à la responsabilité et tout droit à la garantie sont exclus.
- Seules des pièces détachées correspondant à l'appareil d'origine pourront être utilisées lors de réparations. Dans ce SkinVivid se trouvent des pièces électriques et mécaniques indispensables pour la protection contre des sources de risque.
- Ne plongez ni le SkinVivid, ni le câble de chargement USB, ni l'adaptateur secteur USB dans de l'eau ou d'autres liquides.
- Ne touchez jamais l'adaptateur secteur USB avec des mains humides.
- Ne retirez jamais le SkinVivid de la prise de courant en tirant sur le câble de chargement USB, mais saisissez toujours l'adaptateur secteur USB.

- Éloignez le SkinVivid, l'adaptateur secteur USB et le câble de chargement USB de feux ouverts et de surfaces chaudes.
- Ne pliez pas le câble de chargement et ne le posez pas sur des bords coupants.
- N'utilisez le SkinVivid qu'à l'intérieur.
- Ne conservez pas le SkinVivid dans des pièces d'eau et ne l'exposez jamais aux intempéries, par ex. à la pluie.
- Ne rangez jamais le SkinVivid de manière à ce qu'il puisse tomber dans une baignoire ou un lavabo.
- Ne saisissez jamais un appareil électrique tombé dans l'eau s'il est branché au secteur. Dans un tel cas, retirez immédiatement l'adaptateur secteur USB de la prise de courant.
- Ne touchez jamais l'adaptateur secteur USB avec des mains humides.
- Lorsque le SkinVivid est complètement chargé et que vous souhaitez le nettoyer, laissez-le hors service et retirez l'adaptateur secteur de la prise de courant.
- N'approchez pas le SkinVivid de forts champs magnétiques.

- N'utilisez pas le SkinVivid pendant le chargement.



### **Risque d'explosion et d'incendie !**

Une manipulation non conforme de l'accu augmente le risque d'explosion et d'incendie.

- N'exposez jamais le SkinVivid à la chaleur comme les rayons du soleil directs, des feux ouverts, etc.
- Lorsque le SkinVivid est complètement chargé, retirez l'adaptateur secteur USB de la prise de courant.



**Risques pour les enfants et les personnes ayant des capacités physiques, sensorielles ou mentales réduites (par exemple, des personnes partiellement handicapées, les personnes âgées ayant des capacités physiques et mentales réduites), ou un manque d'expérience et de connaissances (par exemple, les enfants plus âgés).**

- Les groupes de personnes suivants n'ont pas le droit d'utiliser le SkinVivid : enfants, personnes de moins de 16 ans, adultes aux capacités physiques, sensorielles ou psychiques réduites et personnes ne disposant pas d'assez d'expérience dans la manipulation de l'appareil.
- Le nettoyage et l'entretien utilisateur ne doivent pas être effectués par des enfants sans surveillance.
- Gardez le SkinVivid et ses accessoires éloignés des enfants de moins de 16 ans.
- Le film d'emballage fait partie de l'étendue de livraison. Éloignez le film d'emballage des enfants pour éviter tout risque d'étouffement en cas d'ingestion.



### **Risque de brûlures chimiques !**

En cas de contact avec le liquide s'écoulant de l'accu, la peau et d'autres parties du corps risquent d'être blessées.



- Si l'accu dans le SkinVivid s'est écoulé, mettez des gants de protection et évitez tout contact du liquide avec la peau, les yeux et les muqueuses.
- Si vous entrez en contact avec l'acide de l'accu, rincez immédiatement les zones concernées avec beaucoup d'eau claire et consultez immédiatement un médecin.



### **Risque de blessure !**

La manipulation non conforme du SkinVivid peut provoquer des blessures.

- N'utilisez pas le SkinVivid si
  - vous êtes enceinte,
  - vous souffrez de maladies neurologiques,
  - vous avez subi une intervention de chirurgie esthétique au niveau du visage,
  - vous êtes allergique au froid, à la chaleur ou au caoutchouc mou,
  - vous portez des implants en métal, en silicone ou en plastique suite à des fractures ou d'autres opérations plastiques au niveau du visage,

- vous ne ressentez pas la chaleur ou que vous êtes insensible à la chaleur.
- N'utilisez pas le SkinVivid si vous avez des irritations ou maladies de la peau suivantes :
  - allergie,
  - acné,
  - eczémas,
  - dermatites, rougeurs ou irritations de la peau (même coups de soleil),
  - gonflements au niveau du visage,
  - plaies au niveau du visage,
  - psoriasis,
  - névrodermite.
- N'utilisez pas le SkinVivid à proximité de plaies ouvertes ou pour enlever des verrues.
- Arrêtez immédiatement le traitement en cas de douleurs ou d'irritations cutanées.
- Ne traitez pas votre peau en continu pendant plus de deux à trois secondes avec le SkinVivid.
- Si vous n'êtes pas sûr que le SkinVivid vous convient, consultez votre médecin avant de l'utiliser pour la première fois.

**AVIS !****Risque d'endommagement !**

Une manipulation non conforme du SkinVivid peut endommager le SkinVivid.

- Protégez le SkinVivid contre les chocs, les températures extrêmes et les rayons directs du soleil.
- Utilisez le SkinVivid uniquement avec des accessoires d'origine.
- Tenez le SkinVivid éloigné de liquides corrosifs.

**Première mise en service****Vérifier le SkinVivid et le contenu de l'emballage****AVIS !****Risque d'endommagement !**

Si vous ouvrez l'emballage négligemment avec un couteau tranchant ou à l'aide d'autres objets pointus, vous risquez d'endommager rapidement le SkinVivid.

– Lors de l'ouverture, procédez avec précaution.

1. Retirez le SkinVivid de l'emballage.
2. Vérifiez si la livraison est complète (voir **Fig. A**).
3. Vérifiez si le SkinVivid ou les différentes pièces présentent des dommages. Si c'est le cas, n'utilisez pas le SkinVivid. Veuillez vous adresser au centre de services Silk'n proche de chez vous (voir chapitre « Informations sur la garantie »).

## Charger le SkinVivid



Il est normal que le SkinVivid chauffe pendant le chargement.

1. Assurez-vous que le SkinVivid est hors service.
2. Déroulez complètement le câble de chargement USB **5**.
3. Insérez la fiche jack du câble de chargement USB dans la borne de chargement **6** du SkinVivid.
4. Insérez le connecteur USB du câble de chargement USB dans la douille USB de l'adaptateur secteur USB **4**.
5. Branchez l'adaptateur secteur USB sur une prise de courant installée dans les règles.

L'indicateur de charge **3** s'allume en rouge pendant le chargement. Il faut environ 3 heures au SkinVivid pour charger complètement l'accu.

6. Dès que l'accu est complètement chargé, l'indicateur de charge brille en bleu. Débranchez le SkinVivid.

À présent, l'accu offre une autonomie de 40 minutes.

## Préparation

1. Avant d'appliquer le SkinVivid, utilisez vos produits de nettoyage habituels pour nettoyer le visage et les parties de la peau que vous souhaitez traiter.
2. Le cas échéant, appliquez ensuite vos lotions d'entretien et crèmes hydratantes habituelles sur votre visage et les zones traitées.
3. Pour que ce produit d'entretien soit absorbé plus rapidement par la peau, appliquez le mode chaud avec vibrations acoustiques après avoir mis la crème (voir chapitres « Appliquer un massage chaud » et « Utilisation »).

## Mode massage (chaud, froid, vibrations acoustiques)



Chaque mode dure automatiquement 2 ½ minutes. Ensuite, le SkinVivid s'éteint.

### Appliquer un massage chaud

Avec le massage chaud, le SkinVivid stimule la circulation sanguine de la peau à 42 °C et permet aux produits de soins de la peau d'être absorbés plus rapidement pour donner un teint plus lisse et une meilleure hydratation. Si vous activez en plus les vibrations acoustiques, l'effet du massage chaud est renforcé.

Utilisez ce mode de préférence après le nettoyage quotidien du visage.

## Appliquer un massage froid

À 6 °C, le massage froid raffermi la peau et rétrécit les pores. Par ailleurs, dans ce mode, le SkinVivid détend les tensions musculaires, résorbe les poches et diminue les rides. Si vous activez en plus les vibrations acoustiques, l'effet du massage froid est renforcé.

Utilisez ce mode de préférence après le nettoyage quotidien du visage ainsi qu'après l'absorption complète des produits de soins et avant l'application du maquillage.



Pour obtenir une peau encore plus lisse, plus brillante et plus douce, nous recommandons d'appliquer en alternance le massage chaud et le massage froid.

## Utilisation



Pendant que le SkinVivid est en cours de chargement, il ne peut pas être utilisé.

1. Pour mettre le SkinVivid en marche, maintenez le bouton de contrôle **7** enfoncé pendant 3 secondes.

Un bip sonore retentit, le témoin supérieur de l'indicateur pour le mode massage **2** brille en rouge et signale ainsi que le SkinVivid est en mode de massage chaud.

2. Pour activer en plus les vibrations acoustiques, appuyez encore une fois sur le bouton de contrôle.

Un bip sonore retentit et, en plus du témoin supérieur, le témoin inférieur de l'indicateur pour le mode massage brille en même temps en jaune. Le SkinVivid est en mode de massage chaud avec vibrations acoustiques.

3. Pour passer au mode de massage froid, appuyez encore une fois sur le bouton de contrôle.

Un bip sonore retentit, le témoin du milieu de l'indicateur pour le mode massage brille en bleu et signale ainsi que le SkinVivid est en mode de massage froid.

4. Pour activer en plus les vibrations acoustiques, appuyez encore une fois sur le bouton de contrôle.

Un bip sonore retentit et, en plus du témoin du milieu, le témoin inférieur de l'indicateur pour le mode massage brille en même temps en jaune. Le SkinVivid est en mode de massage froid avec vibrations acoustiques.

5. Approchez le SkinVivid du visage et placez la tête de massage **8** sur la zone souhaitée du visage.

6. Selon la zone choisie, laissez le SkinVivid glisser en mouvements de rotation de l'intérieur vers l'extérieur ou de haut en bas.

7. Pour arrêter le SkinVivid, maintenez le bouton de contrôle enfoncé pendant 3 secondes.

Un bip sonore retentit et les témoins lumineux de l'indicateur pour le mode massage s'éteignent.



Il est recommandé de recharger le SkinVivid après 5 applications pour obtenir une puissance optimale par une capacité d'accu maximale.

## Conseils pour l'utilisation quotidienne

Que votre peau soit sèche, grasse ou sensible, Silk'n SkinVivid convient à tout type de peau.

### Rituel du matin

Vous pouvez utiliser le massage chaud par exemple le matin après le nettoyage de votre visage. Appliquez ensuite vos soins quotidiens. Une fois que ceux-ci ont été bien absorbés, appliquez le massage froid, qui convient idéalement par exemple pour résorber les yeux gonflés et pour préparer un fond lisse pour l'application du maquillage.

### Rituel du soir

Ou bien choisissez un rituel de beauté complet le soir, après une journée fatigante. Après avoir nettoyé le visage, utilisez d'abord le massage chaud qui ouvre les pores. Ensuite, appliquez un gel pour les yeux, un masque soignant ou une crème hydratante. Une fois que vos produits de soins ont été bien absorbés, appliquez le massage froid pour refermer les pores et régénérer la peau.



# Nettoyage

## AVIS !

### Risque d'endommagement !

Si vous utilisez le mauvais nettoyant et les mauvais objets de nettoyage, vous risquez d'endommager le SkinVivid.

- N'utilisez aucun nettoyant et aucun objet de nettoyage durs, rugueux ou abrasifs.
- Ne plongez ni le SkinVivid, ni le câble de chargement USB, ni l'adaptateur secteur USB dans de l'eau ou d'autres liquides et ne mettez jamais les pièces au lave-vaisselle.
- Après chaque utilisation, nettoyez la tête de massage **8** et le SkinVivid avec le chiffon fourni.
- Ne nettoyez pas le SkinVivid avec de l'eau.

## Pannes et solutions

En cas de problèmes, tentez dans un premier temps de vous aider en appliquant les mesures suivantes :

Erreur	Causes possibles et solutions
Le SkinVivid ne fonctionne pas.	L'accu est probablement vide ou pas suffisamment chargé. <ul style="list-style-type: none"> <li>– Rechargez complètement le SkinVivid avant l'utilisation (voir chapitre « Charger le SkinVivid »).</li> </ul>
Aucun effet visible n'apparaît.	Vous avez oublié de nettoyer et d'entretenir la peau de votre visage avant l'application. <ul style="list-style-type: none"> <li>– Nettoyez et soignez votre peau comme le décrivent les instructions du chapitre « Préparation ».</li> </ul>
	Vous n'appliquez pas encore assez longtemps le SkinVivid ou d'une manière irrégulière. <ul style="list-style-type: none"> <li>– Appliquez régulièrement le SkinVivid.</li> </ul>

Si ces opérations ne sont pas couronnées de succès ou si votre SkinVivid doit être réparé, veuillez vous mettre en relation avec le SAV.

## Données techniques

Modèle :	I389
N° réf. :	SVIPEU001
Puissance :	5,6 W

### Adaptateur secteur

Modèle :	SC/8WH050100EUU
Tension d'entrée :	100–240 V~ ; 50/60 Hz ; 0,5 A
Tension de sortie :	5 V $\overline{=}$ , 1000 mA
Classe de protection :	II

### SkinVivid

Accu :	5V $\overline{=}$ , 800 mAh
Durée de charge :	env. 3 h
Autonomie :	env. 40 min (à charge pleine)
Dimensions (H × L × P) :	env. 15,2 × 4,8 × 4,3 cm
Température tête de massage :	massage chaud 42 °C ± 3 °C massage froid 6 °C ± 3 °C
Mise hors service automatique :	après 2,5 minutes dans chaque mode
Poids :	env. 109 g

## Déclaration de conformité



La déclaration de conformité CE peut être demandée à l'adresse indiquée au dos.

# Recyclage

## Recyclage de l'emballage



Éliminez l'emballage selon les types de matériaux. Mettez les déchets en papier, en carton et en pellicule dans la collecte des matières recyclables.

## Recyclage du SkinVivid

(Applicable dans l'Union européenne et dans d'autres pays européens avec des systèmes de collecte séparée selon les matières à recycler)

### Les appareils usagés ne doivent pas être jetés dans les ordures ménagères !



Si un jour le SkinVivid ne peut plus être utilisé, chaque consommateur est **légalement tenu de remettre les appareils usagés, séparés des déchets ménagers** par ex. à un centre de collecte de sa commune/son quartier. Ceci permet de garantir que les appareils usagés sont recyclés correctement et d'éviter les effets négatifs sur l'environnement. C'est pour cette raison que les appareils électriques portent le symbole présenté ici.

### Les piles et accus ne vont pas dans les déchets ménagers !



En tant que consommateur, vous êtes tenu légalement à déposer toutes les piles et accus, qu'ils contiennent des polluants\* ou non, à un lieu de collecte de votre commune/votre quartier ou dans le commerce, de sorte qu'ils puissent être éliminés dans le respect de l'environnement.

\*marqué par : Cd = cadmium, Hg = mercure, Pb = plomb

## Informations sur la garantie

Conformément aux règles et lois européennes, ce produit a une garantie de 2 ans. L'étendue de la garantie pour ce produit est limitée aux défauts techniques suite à des processus de fabrication erronés. Si vous souhaitez faire usage de la garantie, veuillez vous adresser à notre service après-vente pour obtenir des instructions. Celui-ci sera peut-être à même de résoudre votre problème, sans que le produit ne doive être renvoyé au magasin ou à notre centre de services. Notre service après-vente est à votre entière disposition !

## SAV

Pour tout complément d'information sur les produits Silk'n, allez sur votre site Web Silk'n régional : [www.silkn.eu](http://www.silkn.eu). Si l'appareil est endommagé ou défectueux, doit être réparé ou si vous avez besoin de notre aide, veuillez vous adresser au centre de services Silk'n proche de chez vous. Vous pouvez également télécharger ce guide de l'utilisateur sous forme de PDF sur [www.silkn.eu](http://www.silkn.eu).

Numéro de service : 0891-655557 | 0031(0)180-330550

E-mail : [serviceconsommateurfr@silkn.eu](mailto:serviceconsommateurfr@silkn.eu)



Copyright 2017 © Home Skinovations Ltd. Alle rechten voorbehouden.

## Juridische kennisgeving

Home Skinovations behoudt zich het recht voor om wijzigingen door te voeren aan haar producten of specificaties teneinde de prestaties, de betrouwbaarheid en/of de produceerbaarheid te verbeteren. De informatie verschaft door Home Skinovations wordt op het moment van publicatie geacht accuraat en betrouwbaar te zijn. Echter, Home Skinovations aanvaardt geen enkele aansprakelijkheid voor het gebruik ervan. Er wordt geen licentie verleend bij implicatie of anderszijds, op grond van welk patent of patentrecht van Home Skinovations dan ook.

Niets van dit document mag worden verveelvoudigd of openbaar gemaakt, in welke vorm of op welke wijze dan ook, elektronisch of mechanisch, voor welk doeleinde dan ook, zonder uitdrukkelijke schriftelijke toestemming van Home Skinovations. De gegevens kunnen worden gewijzigd zonder voorafgaande kennisgeving.

Home Skinovations heeft patenten en lopende patentaanvragen, handelsmerken, auteursrechten en andere intellectuele eigendomsrechten die de onderwerpen in dit document dekken. Het verkrijgen van dit document geeft u geen enkele licentie voor het gebruik van deze patenten, handelsmerken, auteursrechten of welke andere intellectuele eigendomsrechten dan ook, tenzij expliciet vermeld in een schriftelijke toestemming van Home Skinovations. De specificaties kunnen worden gewijzigd zonder voorafgaande kennisgeving.

Silk'n en het Silk'n-logo zijn gedeponeerde merken van Home Skinovations Ltd.

InnoEssentials International, Donk 1B, 2991 LE Barendrecht, Nederland

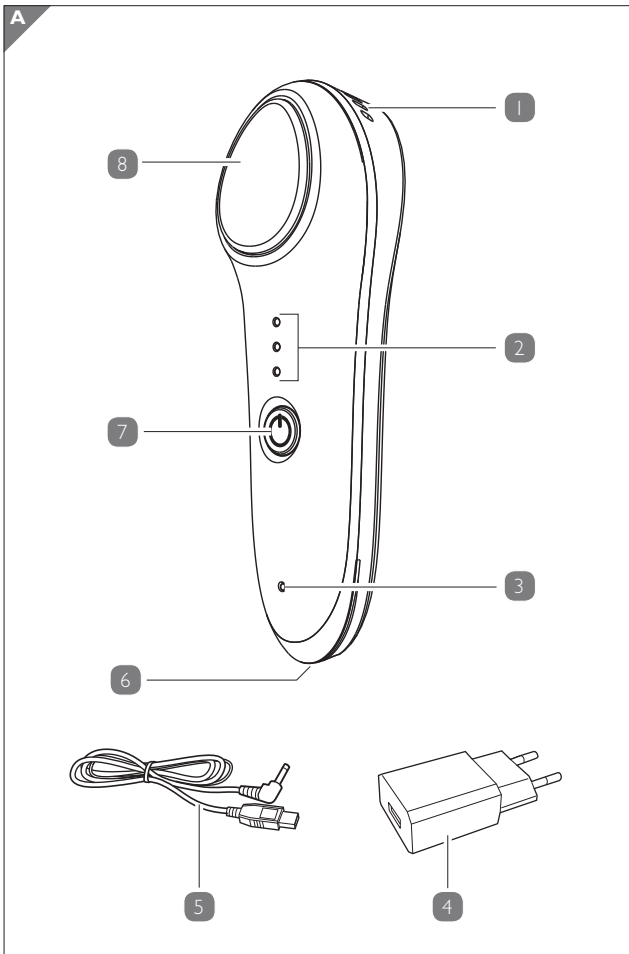
[www.silkkn.eu](http://www.silkkn.eu)

[info@silkkn.com](mailto:info@silkkn.com)

# Inhoudsopgaaf

<b>Overzicht .....</b>	<b>81</b>
<b>Leveringspakket/ onderdelen van het apparaat.....</b>	<b>82</b>
<b>Algemeen.....</b>	<b>83</b>
Gebruiksaanwijzing lezen en bewaren .....	83
Verklaring van symbolen .....	83
<b>Veiligheid.....</b>	<b>85</b>
Reglementair gebruik.....	85
Veiligheidsinstructies.....	85
<b>Eerste ingebruikneming .....</b>	<b>93</b>
SkinVivid en leveringspakket controleren.....	93
SkinVivid opladen.....	94
<b>Vorbereiding .....</b>	<b>95</b>
<b>Massagemodus (warm, koud, sonische vibratie) .....</b>	<b>95</b>
Warme massage toepassen.....	95
Koude massage toepassen.....	96
<b>Bediening .....</b>	<b>96</b>
<b>Tips voor het dagelijkse gebruik .....</b>	<b>98</b>
Ochtendritueel.....	98
Avondritueel.....	98
<b>Reiniging.....</b>	<b>99</b>
<b>Oplossing van problemen.....</b>	<b>100</b>
<b>Technische gegevens.....</b>	<b>101</b>
<b>Conformiteitsverklaring.....</b>	<b>101</b>
<b>Verwijdering.....</b>	<b>102</b>
<b>Informatie over de garantie .....</b>	<b>103</b>
<b>Klantendienst.....</b>	<b>103</b>





## Leveringspakket/onderdelen van het apparaat

- 1 Ventilatieopening
- 2 Indicator voor de massagemodus
  - Indicator voor warme massage
  - Indicator voor koude massage
  - Indicator voor sonische vibratie
- 3 Laadindicator
- 4 USB-netadapter
- 5 USB-oplaadkabel
- 6 Laadpoort
- 7 Bedieningsknop
- 8 Massagekop

# Algemeen

## Gebruiksaanwijzing lezen en bewaren



Deze gebruiksaanwijzing behoort tot het gezichtsmassage-toestel SkinVivid (hierna uitsluitend "SkinVivid" genoemd). Ze bevat belangrijke informatie over het gebruik en de hantering.

Lees grondig de gebruiksaanwijzing en vooral de veiligheidsinstructies alvorens de SkinVivid te gebruiken. De niet-naleving van deze gebruiksaanwijzing kan leiden tot ernstige verwondingen of schade aan de SkinVivid.

De gebruiksaanwijzing is gebaseerd op de normen en regels die in de Europese Unie van kracht zijn. Gelieve in het buitenland de richtlijnen en wetten van het desbetreffende land na te leven.

Bewaar de gebruiksaanwijzing voor toekomstige inzage. Als u de SkinVivid aan derden geeft, geef dan zeker deze gebruiksaanwijzing mee.

Deze gebruiksaanwijzing kunt u ook op onze homepage op [www.silkn.eu](http://www.silkn.eu) in pdf-formaat aanvragen.

## Verklaring van symbolen

De volgende symbolen en signalen worden gebruikt in deze gebruiksaanwijzing, op de SkinVivid of op de verpakking.



Dit signaalsymbool/-woord duidt op een gevaar met een gematigde risicograad, dat, als het niet wordt vermeden, de dood of een ernstige verwonding tot gevolg kan hebben.



**VOORZICHTIG!**

Dit signaalsymbool/-woord duidt op een gevaar met een lage risicograad, dat, als het niet wordt vermeden, een geringe of gematigde verwonding tot gevolg kan hebben.

**LET OP!**

Dit signaalwoord waarschuwt voor eventuele materiële schade.



Dit symbool geeft u nuttige bijkomende informatie over het gebruik.



Conformiteitsverklaring (zie hoofdstuk "Conformiteitsverklaring"): Producten die zijn aangeduid met dit symbool vervullen alle toepasselijke gemeenschapsvoorschriften van de Europese Economische Ruimte.



Gebruik de SkinVivid niet in de buurt van badkuipen, douchekabines of andere reservoirs die water bevatten.



Met dit symbool aangeduide elektrische apparaten behoren tot de veiligheidsklasse II (netadapter).



Elektrische apparaten die aangeduid zijn met dit symbool, zijn niet geschikt voor het gebruik binnenskamers.

# Veiligheid

## Reglementair gebruik

De SkinVivid dient uitsluitend om de huid glad te maken, te verstevigen en de elasticiteit van de huid te verbeteren met een warme en koude massage. De SkinVivid is geschikt voor alle huidtypes. Zwangere vrouwen en personen met een verbrande huid, acne, allergieën of een anderszins geïrriteerde huid mogen de SkinVivid niet gebruiken.

De SkinVivid is uitsluitend bestemd voor particulier gebruik en niet geschikt voor commerciële doeleinden, bijv. in cosmeticsalons. Stel de SkinVivid niet bloot aan weersinvloeden en gebruik het apparaat niet in vochtige ruimten. De SkinVivid is geen speelgoed voor kinderen.

Gebruik de SkinVivid alleen op de manier die in deze gebruiksaanwijzing is beschreven. Elk ander gebruik geldt als niet regulier en kan leiden tot materiële schade.

InnoEssentials is niet aansprakelijk voor schade die is ontstaan door niet regulier of verkeerd gebruik.

## Veiligheidsinstructies



### **Gevaar voor elektrocutie!**

Een foutieve elektrische installatie of te hoge netspanning kan leiden tot elektrocutie.

– Sluit de SkinVivid slechts aan, als de netspan-

ning van het stopcontact overeenstemt met wat op het typeplaatje is vermeld.

- Sluit de SkinVivid uitsluitend aan op een goed bereikbaar stopcontact zodat u hem bij een storing snel van het stroomnet kunt loskoppelen.
- Gebruik de SkinVivid niet wanneer deze zichtbare schade vertoont of de USB-oplaadkabel of de USB-netadapter defect is.
- Als de oplaadkabel van de SkinVivid beschadigd is, moet deze door een USB-oplaadkabel met dezelfde specificaties worden vervangen om risico's te vermijden. Richt u tot de speciaalzaak of de klantendienst.
- Open de behuizing niet, maar laat de reparatie over aan vakmensen. Richt u daarvoor tot een professionele werkplaats of de klantendienst.
- In geval van eigenhandig uitgevoerde reparaties, inadequate aansluiting of verkeerde bediening zijn we niet verantwoordelijk en kan er geen aanspraak worden gemaakt op de garantie.
- Bij reparaties mogen uitsluitend onderdelen worden gebruikt die beantwoorden aan de

oorspronkelijke gegevens van het apparaat. In de SkinVivid bevinden zich elektrische en mechanische onderdelen die onontbeerlijk zijn voor de bescherming tegen gevarenbronnen.

- Dompel noch de SkinVivid, noch de USB-oplaadkabel of USB-netadapter onder in water of andere vloeistoffen.
- Raak de USB-netadapter nooit met vochtige handen aan.
- Trek de SkinVivid nooit aan de USB-oplaadkabel uit het stopcontact, maar raak steeds de USB-netadapter aan.
- Houd de SkinVivid, de USB-netadapter en de USB-oplaadkabel weg van open vuur en hete oppervlakken.
- Plooi de oplaadkabel niet en leg deze niet over scherpe randen.
- Gebruik de SkinVivid uitsluitend binnenshuis.
- Bewaar de SkinVivid niet in vochtige ruimten en stel deze zeker niet bloot aan weersinvloeden zoals regen.
- Berg de SkinVivid nooit zodanig op dat deze in een badkuip of een lavabo kan vallen.

- Grijp een elektrisch toestel dat is aangesloten op het stroomnet nooit als het in het water is gevallen. Trek in dat geval meteen de USB-netadapter uit het stopcontact.
- Raak de USB-netadapter nooit met vochtige handen aan.
- Als de SkinVivid volledig is opgeladen of u deze wilt reinigen, laat de SkinVivid dan uitgeschakeld en trek de netadapter uit het stopcontact.
- Ga niet dichtbij sterke magnetische velden met de SkinVivid.
- Gebruik de SkinVivid niet tijdens het laden.



### **Explosie- en brandgevaar!**

Een verkeerde hantering van de accu verhoogt het risico op ontploffingen en brand.

- Stel de SkinVivid nooit bloot aan hitte, zoals directe zonnestrallen, een open vuur of iets dergelijks.
- Als de SkinVivid volledig is opgeladen, dient u de USB-netadapter uit het stopcontact te trekken.





## **WAARSCHUWING!**

**Gevaren voor kinderen en personen met verminderd fysieke, sensorische of mentale vaardigheden (bijvoorbeeld gedeeltelijk gehandicapten, oudere personen met een beperking van hun fysieke en mentale vaardigheden) of een gebrek aan ervaring en kennis (bijvoorbeeld oudere kinderen).**

- De volgende groepen van personen mogen de SkinVivid niet gebruiken: Kinderen, personen jonger dan 16 jaar, volwassenen met beperkte fysieke, sensorische of psychische vaardigheden en personen die niet voldoende ervaring hebben met de hantering van het apparaat.
- Reiniging en onderhoud door de gebruiker mogen niet door kinderen zonder toezicht worden uitgevoerd.
- Houd de SkinVivid en de accessoires ervan uit de buurt van kinderen jonger dan 16 jaar.

- Bij de levering behoort de verpakkingsfolie. Houd deze uit de buurt van kinderen omdat het gevaar voor verstikking bestaat als ze wordt ingeslikt.



### **Risico op bijtende wonden!**

Lekkende vloeistof van de accu kan bij aanraking met de huid of andere delen van het lichaam verwondingen veroorzaken.

- Als de accu in de SkinVivid is gelekt, trek dan beschermende handschoenen aan en vermijd het contact van de vloeistof van de accu met de huid, ogen en slijmvliezen.
- Als u met accuzuur in aanraking bent gekomen, dient u deze plaatsen meteen af te spoelen met heel wat helder water en direct een arts op te zoeken.



## **Verwondingsgevaar!**

Een verkeerde omgang met de SkinVivid kan leiden tot verwondingen.

- Gebruik de SkinVivid niet als u:
  - zwanger bent,
  - lijdt aan een neurologische aandoening,
  - een schoonheidsoperatie hebt gehad in het gezicht,
  - allergisch bent voor koude, warmte of zacht rubber,
  - metalen, silicone of plastic implantaten draagt door botbreuken of andere plastische operaties in het gezicht,
  - geen warmte kunt voelen of ongevoelig bent voor warmte.
- Gebruik de SkinVivid niet bij de volgende huidirritaties of -aandoeningen:
  - allergie,
  - acne,
  - eczema's,

- huidontstekingen, -roodheid of -irritatie (ook na zonnebrand),
  - zwellingen aan het gezicht,
  - wonden in het gezicht,
  - psoriasis,
  - neurodermitis.
- Gebruik de SkinVivid niet in de buurt van open wonden of voor het verwijderen van wratten.
  - Onderbreek de behandeling meteen als pijn of huidirritaties optreden.
  - Behandel uw huid niet langer dan twee tot drie seconden aan een stuk met de SkinVivid.
  - Bent u niet zeker of de SkinVivid voor u geschikt is, raadpleeg dan uw arts voor het eerste gebruik.

**LET OP!****Beschadigingsgevaar!**

Een verkeerde omgang met de SkinVivid kan leiden tot schade aan de SkinVivid.

- Bescherm de SkinVivid tegen schokken, extreme temperaturen en directe zonnestralen.
- Gebruik de SkinVivid alleen met originele accessoires.
- Houd de SkinVivid uit de buurt van corrosieve vloeistoffen.

**Eerste ingebruikneming****SkinVivid en leveringspakket controleren****LET OP!****Beschadigingsgevaar!**

Als u de verpakking onvoorzichtig opent met een scherp mes of andere scherpe voorwerpen, dan kan de SkinVivid snel worden beschadigd.

- Ga voorzichtig te werk bij het openen.

1. Neem de SkinVivid uit de verpakking.
2. Controleer of de levering volledig is (zie **afb. A**).
3. Controleer of de SkinVivid of de afzonderlijke delen schade vertonen. Is dit het geval, gebruik de SkinVivid dan niet.  
Richt u tot het Silk'n-servicecentrum in uw buurt (zie hoofdstuk "Informatie over de garantie").

## SkinVivid opladen



Het is normaal dat de SkinVivid tijdens het opladen warm wordt.

1. Zorg ervoor dat de SkinVivid uitgeschakeld is.
2. Wikkel de USB-oplaadkabel **5** volledig af.
3. Steek de klinkstekker van de USB-oplaadkabel in de laadpoort **6** van de SkinVivid.
4. Steek de USB-stekker van de USB-oplaadkabel in de USB-poort van de USB-netadapter **4**.
5. Steek de USB-netadapter in een vakkundig geïnstalleerd stopcontact.  
De laadindicator **3** licht tijdens het laden rood op. De SkinVivid heeft ca. 3 uur nodig om de accu volledig op te laden.
6. Is de accu volledig opgeladen, dan licht de laadindicator blauw op. Koppel de SkinVivid los van het stroomnet.  
De accu vertoont nu een gebruiksduur van 40 minuten.

## Vorbereitung

1. Reinig voor gebruik van de SkinVivid het gezicht en de te behandelen huid met uw gebruikelijke reinigingsproducten.
2. Verzorg eventueel het gezicht en vervolgens de te behandelen huid met de gebruikelijke verzorgingslotions en vochtinbrengende crèmes.
3. Wilt u dat deze huidverzorgingsproducten sneller intrekken, pas dan na het insmeren de warme modus met sonische vibratie toe (zie hoofdstuk "Warme massage toepassen" en "Bediening").

## Massagemodus (warm, koud, sonische vibratie)



Elke modus die u kiest, loopt automatisch gedurende 2 ½ minuut. Daarna wordt de SkinVivid uitgeschakeld.

### Warme massage toepassen

Met de warme massage bevordert de SkinVivid op 42 °C de doorbloeding van de huid en zorgt ervoor dat huidverzorgingsproducten sneller intrekken zodat de huid een gladdere teint krijgt en beter gehydrateerd is. Schakelt u ook de sonische vibratie in, dan wordt het effect van de warme massage versterkt.

Gebruik deze modus het best na de dagelijkse gezichtsreiniging.

## Koude massage toepassen

De koude massage maakt de huid bij 6 °C strakker en verkleint de poriën. Bovendien maakt de SkinVivid in deze modus musculaire spanningen los, vermindert oogzwellingen en rimpels. Schakelt u ook de sonische vibratie in, dan wordt het effect van de koude massage versterkt.

Gebruik deze modus het best na de dagelijkse gezichtsreiniging en ook na het volledig intrekken van uw huidverzorgingsproducten en nog voor het aanbrengen van uw make-up.



Om een nog gladdere, stralendere en soepelere huid te krijgen, raden we aan afwisselend een warme en koude massage toe te passen.

## Bediening



Terwijl de SkinVivid wordt geladen, kan hij niet worden gebruikt.

1. Om de SkinVivid in te schakelen, dient u de bedieningsknop **7** gedurende 3 seconden ingedrukt te houden.

Er weerklinkt een piepton, het bovenste lampje van de indicator voor de massagmodus **2** licht rood op en toont hiermee aan dat de SkinVivid in de modus voor de warme massage staat.

2. Om ook de sonische vibratie in te schakelen, drukt u opnieuw op de bedieningsknop.

Er weerklinkt een piepton en naast het bovenste lampje licht nu tegelijk het onderste lampje van de indicator voor de massagmodus in het geel op. De SkinVivid bevindt zich in de modus voor warme massage met sonische vibratie.



3. Om over te schakelen op de modus voor koude massage, drukt u opnieuw op de bedieningsknop.  
Er weerklinkt een pieptoon, het middelste lampje van de indicator voor de massagemodus licht blauw op en toont aan dat de SkinVivid in de modus voor de koude massage staat.
4. Om ook de sonische vibratie in te schakelen, drukt u opnieuw op de bedieningsknop.  
Er weerklinkt een pieptoon en naast het middelste lampje licht nu tegelijk het onderste lampje van de indicator voor de massagemodus in het geel op. De SkinVivid bevindt zich in de modus voor koude massage met sonische vibratie.
5. Breng de SkinVivid naar het gezicht en leg de massagekop **8** op de gewenste gezichtsdeel.
6. Laat de SkinVivid naargelang van het huidgedeelte in cirkelvormige bewegingen van binnen naar buiten of van boven naar beneden glijden.
7. Om de SkinVivid uit te schakelen, dient u de bedieningsknop gedurende 3 seconden ingedrukt te houden.  
Er weerklinkt een pieptoon en de lampjes van de indicator voor de massagemodus gaan uit.



Het is aan te raden de SkinVivid na 5 toepassingen opnieuw op te laden om de optimale werking met vol accuvermogen te bereiken.

## Tips voor het dagelijkse gebruik

Onafhankelijk van het feit of u een droge, vette of gevoelige huid heeft, is Silk'n SkinVivid geschikt voor elke huidtype.

### Ochtendritueel

U kunt de warme massage bijvoorbeeld 's morgens na de reiniging van uw gezicht toepassen. Vervolgens brengt u uw dagcrème aan. Als deze goed is ingetrokken, past u de koude massage toe die bijvoorbeeld perfect geschikt is voor de vermindering van gezwollen ogen en het realiseren van een gladde basis voor het aanbrengen van make-up.

### Avondritueel

Of u kiest voor een volledig schoonheidsritueel 's avonds, na een inspannende dag. Pas na de reiniging van het gezicht eerst de warme massage toe waardoor de poriën opengaan. Breng vervolgens een ooggel, een verzorgend masker of een vochtinbrengende crème aan. Als uw verzorgingsproducten goed zijn ingetrokken, past u voor het sluiten van de poriën en voor de verjonging van de huid de koude massage toe.

## Reiniging

### LET OP!

#### Beschadigingsgevaar!

Als u de verkeerde reinigingsmiddelen en reinigingsvoorwerpen gebruikt, kunt u de SkinVivid beschadigen.

- Gebruik geen harde, schurende reinigingsmiddelen en reinigingsvoorwerpen.
- Dompel noch de SkinVivid, noch de USB-oplaadkabel of USB-netadapter onder in water of andere vloeistoffen en plaats de onderdelen nooit in de vaatwasmachine.
- Reinig de massagekop **8** en de SkinVivid na elk gebruik met de meegeleverde reinigingsdoek.
- Reinig de SkinVivid niet met water.

## Oplossing van problemen

Probeer u zich in geval van een storing in eerste instantie te behelpen met de volgende maatregelen:

Problemen	Mogelijke oorzaken en oplossing
De SkinVivid functioneert niet.	Eventueel is de accu leeg of niet voldoende opgeladen. <ul style="list-style-type: none"> <li>– Laad de SkinVivid volledig op voor gebruik (zie hoofdstuk “SkinVivid opladen”).</li> </ul>
Er zijn geen zichtbare effecten te zien.	U bent vergeten uw gezicht voor gebruik te reinigen en te verzorgen. <ul style="list-style-type: none"> <li>– Reinig en verzorg uw huid volgens de instructies in het hoofdstuk “Voorbereiding”.</li> </ul>
	U gebruikt de SkinVivid nog niet lang of niet regelmatig. <ul style="list-style-type: none"> <li>– Gebruik de SkinVivid regelmatig.</li> </ul>

Als deze maatregelen geen succes hebben opgeleverd of uw SkinVivid moet worden gerepareerd, neem dan contact op met de klantendienst.

## Technische gegevens

Model:	I389
Artikelnr.:	SV1PEU001
Vermogen:	5,6 W

### Netadapter

Model:	SC/8WH050100EUU
Ingaande spanning:	100–240 V~; 50/60 Hz; 0,5 A
Uitgaande spanning:	5V $\overline{=}$ , 1000 mA
Veiligheidsklasse:	II

### SkinVivid

Accu:	5V $\overline{=}$ , 800 mAh
Laadduur:	ca. 3 h
Bedrijfsduur:	ca. 40 min (wanneer volledig opgeladen)
Afmetingen (H × B × T):	ca. 15,2 × 4,8 × 4,3 cm
Temperatuur massagekop:	warme massage 42 °C ± 3 °C koude massage 6 °C ± 3 °C
Automatische uitschakeling:	na 2,5 minuten in elke modus
Gewicht:	ca. 109 g

## Conformiteitsverklaring

**CE** De EU-conformiteitsverklaring kan worden opgevraagd op het adres dat op de achterzijde is vermeld.

# Verwijdering

## Verpakking verwijderen



Voeg de verpakking bij het juiste soort afval. Voeg karton bij oud papier, folies bij recycling materialen.

## SkinVivid verwijderen

(Van toepassing in de Europese Unie en andere Europese staten met systemen voor de gescheiden inzameling van recyclebare materialen)

### Oude apparaten mogen niet bij het huisvuil belanden!



Kan de SkinVivid niet meer worden gebruikt, dan is elke verbruiker **bij wet verplicht om oude apparaten gescheiden van het huisvuil**, bijv. op een inzamelpunt van zijn gemeente/stadsgedeelte af te geven. Zo wordt

gegarandeerd dat de afgedankte apparaten deskundig worden verwerkt en dat negatieve gevolgen voor het milieu worden vermeden. Daarom zijn elektrische apparaten met het afgebeelde symbool gemarkeerd.

### Batterijen en accu's mogen niet bij het huisvuil belanden!



Als verbruiker bent u wettelijk verplicht om alle batterijen en accu's of ze nu schadelijke stoffen\* bevatten of niet, bij een inzamelpunt van uw gemeente/stadsdeel of In de handel af te geven zodat ze op een milieuvriendelijke manier kunnen worden verwerkt.

\*gemarkeerd met: Cd = cadmium, Hg = kwik, Pb = lood

## **Informatie over de garantie**

Dit product wordt gedekt door een garantie van 2 jaar volgens de Europese regels en wetten. De omvang van de garantie op dit product wordt beperkt tot technische fouten die werden veroorzaakt door foutieve productieprocessen. Als u aanspraak wilt maken op de garantie, dient u aanwijzingen bij onze klantendienst in te winnen. U kunt uw probleem misschien oplossen zonder dat het product naar de zaak of ons servicecentrum moet worden teruggestuurd. Onze klantendienst helpt u steeds graag verder!

## **Klantendienst**

Meer informatie over de producten van Silk'n vindt u op uw regionale Silk'n-website: [www.silkn.eu](http://www.silkn.eu). Wanneer het apparaat beschadigd of defect is, een reparatie nodig heeft of als u onze hulp wenst, richt u dan tot het Silk'n-servicecentrum in uw buurt. U kunt deze gebruiksinstructies als pdf ook downloaden op [www.silkn.eu](http://www.silkn.eu).

Servicenummer: 0900-2502217 | 0031(0)180-330550

E-mail: [klantenservicenl@silkn.eu](mailto:klantenservicenl@silkn.eu)





Copyright 2017 © Home Skinovations Ltd.  
Todos los derechos reservados.

## **Aviso legal**

Home Skinovations Ltd. se reserva el derecho a introducir cambios en sus productos o en las especificaciones para mejorar su rendimiento, fiabilidad o fabricación. La información facilitada por Home Skinovations Ltd. se considera exacta y fiable en el momento de su publicación. No obstante, Home Skinovations Ltd. no asumirá ninguna responsabilidad por su uso. Dicha información no implica que se otorgue ninguna licencia en modo alguno, bajo ninguna patente o derechos de patente de Home Skinovations Ltd.

No está permitido reproducir o transmitir parte del presente documento en forma o medio alguno, electrónico o mecánico, para cualquier propósito, sin el permiso escrito y explícito de Home Skinovations Ltd. Los datos están sujetos a cambios sin notificación previa.

Home Skinovations Ltd. cuenta con patentes y solicitudes de patente pendientes, marcas comerciales, derechos de autor y otros derechos de propiedad intelectual que amparan la materia tratada en este documento. La posesión de este documento no le otorga licencia alguna sobre dichas patentes, marcas comerciales, derechos de autor ni otros derechos de propiedad intelectual, excepto lo expresamente provisto en cualquier contrato por escrito con Home Skinovations Ltd. Las especificaciones están sujetas a cambios sin previo aviso.

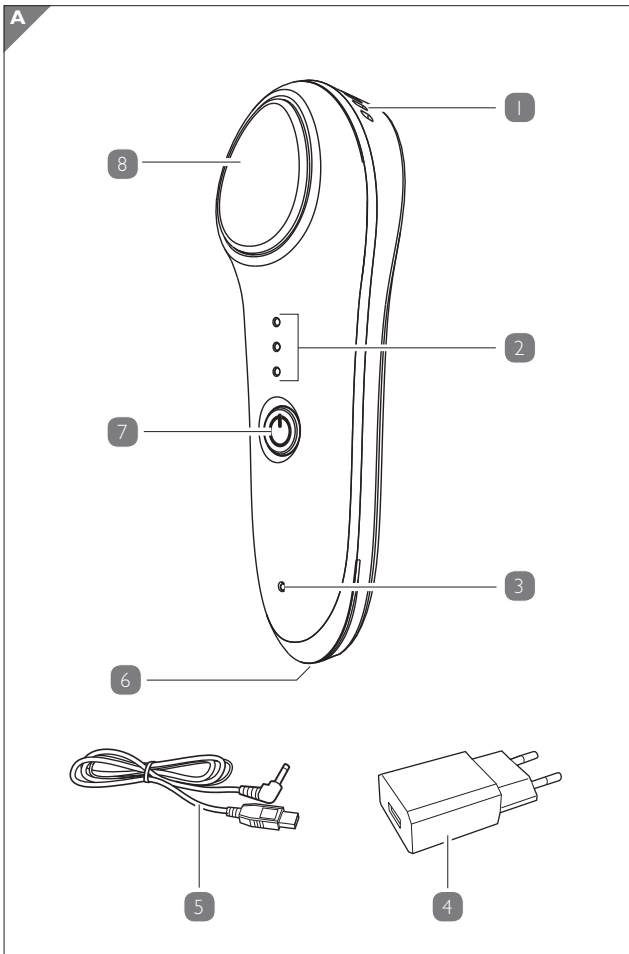
Silk'n y el logotipo de Silk'n son marcas registradas de Home Skinovations Ltd.

InnoEssentials International, Donk IB,  
2991 LE Barendrecht, Países Bajos

[www.silkn.eu](http://www.silkn.eu)  
[info@silkn.com](mailto:info@silkn.com)

# índice

<b>Cuadro de conjunto .....</b>	<b>107</b>
<b>Volumen de suministro/partes del aparato....</b>	<b>108</b>
<b>Generalidades.....</b>	<b>109</b>
Leer y guardar este manual de usuario.....	109
Descripción de símbolos.....	109
<b>Seguridad .....</b>	<b>111</b>
Uso apropiado .....	111
Indicaciones de seguridad .....	111
<b>Primera puesta en servicio .....</b>	<b>119</b>
Comprobación del SkinVivid y del volumen de suministro .....	119
Carga del SkinVivid .....	120
<b>Preparación.....</b>	<b>120</b>
<b>Modo de masaje</b>	
<b>(caliente, frío, vibración sonora) .....</b>	<b>121</b>
Uso del masaje caliente .....	121
Uso del masaje frío .....	121
<b>Manejo .....</b>	<b>122</b>
<b>Consejos para el uso diario .....</b>	<b>123</b>
Ritual de día .....	123
Ritual de noche .....	123
<b>Limpieza.....</b>	<b>124</b>
<b>Búsqueda de fallos.....</b>	<b>125</b>
<b>Datos técnicos .....</b>	<b>126</b>
<b>Declaración de conformidad.....</b>	<b>126</b>
<b>Eliminación .....</b>	<b>127</b>
<b>Información sobre la garantía.....</b>	<b>128</b>
<b>Servicio de atención al cliente.....</b>	<b>128</b>



## Volumen de suministro/ partes del aparato

- 1 Abertura de ventilación
- 2 Indicador del modo de masaje
  - Indicador del masaje caliente
  - Indicador del masaje frío
  - Indicador de vibración sonora
- 3 Indicador de carga
- 4 Adaptador de red USB
- 5 Cable de carga USB
- 6 Conexión de carga
- 7 Botón de control
- 8 Cabezal masajeador

# Generalidades

## Leer y guardar este manual de usuario



Este manual de usuario pertenece al masajeador facial SkinVivid (en adelante "SkinVivid"). Contiene información importante relacionada con la puesta en marcha y el manejo.

Lea atentamente el manual de usuario, especialmente las indicaciones de seguridad, antes de usar el SkinVivid. La inobservancia de este manual de usuario puede provocar lesiones graves o daños en el SkinVivid.

El manual de usuario se basa en las normas y regulaciones vigentes en la Unión Europea. Para el extranjero, respete también las directivas y leyes de cada país.

Guarde el manual de usuario para uso posterior. En caso de ceder el SkinVivid a terceros, es necesario que también entregue este manual de usuario.

Este manual de usuario también se puede consultar en formato PDF en nuestra página web [www.silkn.eu](http://www.silkn.eu).

## Descripción de símbolos

En este manual de usuario, en el SkinVivid o en el embalaje se utilizan los siguientes símbolos y términos de advertencia.



Este símbolo/término de advertencia hace referencia a un grado de riesgo medio que, si no se evita, puede provocar la muerte o lesiones graves.



Este símbolo/término de advertencia hace referencia a un grado de riesgo bajo que, si no se evita, puede resultar en una lesión leve o moderada.

## ¡AVISO!

Este término de advertencia avisa de posibles daños materiales.



Este símbolo le ofrece información útil adicional sobre el uso.



Declaración de conformidad (consulte el capítulo “Declaración de conformidad”): Los productos identificados con este símbolo satisfacen todas las disposiciones comunitarias aplicables del Espacio Económico Europeo.



No use el SkinVivid cerca de bañeras, duchas u otros recipientes con agua.



Los equipos eléctricos identificados con este símbolo pertenecen al grado de protección II (adaptador de red).



Los equipos eléctricos identificados con este símbolo solo son aptos para usar en interiores secos.

# Seguridad

## Uso apropiado

El SkinVivid sirve únicamente para alisar y fortalecer la piel y para mejorar la elasticidad de la piel mediante masaje caliente y frío. El SkinVivid está indicado para todos los tipos de piel. Las embarazadas y las personas con quemaduras en la piel, acné, alergias o con la piel irritada de otro modo, no deben usar el SkinVivid.

El SkinVivid está pensado exclusivamente para uso privado; no es apto para uso comercial, p. ej. en centros estéticos. No exponga el SkinVivid a las condiciones atmosféricas, ni lo use en locales húmedos. El SkinVivid no es un juguete.

Utilice el SkinVivid solo como se describe en este manual de usuario. Cualquier otro uso se considerará inapropiado y puede provocar daños materiales.

InnoEssentials no se hace responsables por daños producidos por el uso inapropiado o incorrecto del producto.

## Indicaciones de seguridad



### **¡Peligro de descarga eléctrica!**

La instalación eléctrica defectuosa o una tensión de red demasiado alta pueden provocar descargas eléctricas.

- Conecte el SkinVivid solo cuando la tensión de la toma de corriente coincida con los datos proporcionados en la placa de tipos.

- Conecte el SkinVivid solo a una toma de corriente bien accesible, para que, en caso de incidente, pueda desenchufarse rápidamente.
- No use el SkinVivid si presenta daños visibles o si el cable de carga USB o adaptador de red USB están defectuosos.
- Si el cable de carga del SkinVivid está dañado, se debe sustituir por un cable de carga USB con las mismas especificaciones para evitar peligros. Diríjase al comercio especializado o al servicio de atención al cliente.
- No abra la carcasa, sino deje que la reparación la efectúen técnicos especializados. Diríjase a un taller especializado o al servicio de atención al cliente.
- Si se realizan reparaciones en forma independiente, se conecta en forma inadecuada o se utiliza incorrectamente, se perderá todo derecho a garantía.
- Solo se permitirá usar para las reparaciones aquellas partes que coincidan con los datos originales del equipo. El SkinVivid contiene piezas eléctricas y mecánicas que son imprescindibles para la protección contra fuentes de riesgo.



- No sumerja el SkinVivid ni el cable de carga USB o el adaptador de red USB en agua o en otros líquidos.
- Nunca toque el adaptador de red USB con las manos húmedas.
- Nunca saque el SkinVivid de la toma de corriente tirando del cable de carga USB, sino agarre siempre el adaptador de red USB.
- El SkinVivid, el adaptador de red USB y el cable de carga USB han de mantenerse lejos de fuego abierto y superficies calientes.
- No doble el cable de carga, ni lo coloque encima de bordes afilados.
- Emplee el SkinVivid solo en interiores.
- No conserve el SkinVivid en locales húmedos ni lo exponga nunca a las condiciones atmosféricas como, p. ej. la lluvia.
- Nunca guarde el SkinVivid de forma que pueda caerse en una bañera o en un lavabo.
- Nunca toque un aparato eléctrico conectado a la red eléctrica que se haya caído al agua. En tal caso, desconecte inmediatamente el adaptador de red USB de la toma de corriente.

- Nunca toque el adaptador de red USB con las manos húmedas.
- Cuando el SkinVivid esté totalmente cargado o cuando quiera limpiarlo, apague el SkinVivid y extraiga el adaptador de red de la toma de corriente.
- No se acerque a campos magnéticos fuertes con el SkinVivid.
- No utilice el SkinVivid durante el proceso de carga.



### **¡Riesgo de explosión e incendio!**

La manipulación indebida del acumulador aumenta el riesgo de explosión e incendio.

- Nunca exponga el SkinVivid al calor, p. ej. radiación solar directa, fuegos abiertos, o similares.
- Cuando el SkinVivid esté totalmente cargado, retire el adaptador de red USB de la toma de corriente.



**Riesgos para niños y personas con capacidades físicas, sensoriales o mentales reducidas (por ejemplo, personas parcialmente discapacitadas, personas mayores con limitación de sus capacidades físicas y mentales), o falta de experiencia y conocimiento (por ejemplo, niños mayores).**

- Los siguientes grupos de personas no deben usar el SkinVivid: niños, personas menores de 16 años, adultos con capacidades físicas, sensoriales o psíquicas limitadas, y personas que carezcan de suficiente experiencia sobre el manejo del equipo.
- Los niños sin supervisión no pueden realizar tareas de limpieza y mantenimiento.
- Mantenga el SkinVivid y sus accesorios alejados del alcance de niños menores de 16 años.
- La lámina de embalaje forma parte del volumen de suministro. Manténgala fuera del alcance de los niños, pues existe peligro de asfixia en caso de ingestión.



**¡ATENCIÓN!**

### **¡Peligro de causticación!**

El líquido derramado del acumulador puede provocar lesiones al entrar en contacto con la piel u otras partes del cuerpo.

- Si el acumulador del SkinVivid se derrama, póngase guantes protectores y evite el contacto del líquido del acumulador con piel, ojos y mucosas.
- Si entra en contacto con el ácido del acumulador, enjuague en seguida las zonas afectadas con abundante agua limpia y consulte al médico de inmediato.



## **¡Riesgo de lesiones!**

La manipulación inadecuada del SkinVivid puede provocar lesiones.

- No utilice el SkinVivid si:
  - está embarazada,
  - padece enfermedades neurológicas,
  - se ha sometido a una operación estética en la cara,
  - es alérgico al frío, calor o goma blanda,
  - lleva implantes de metal, silicona o plástico por rotura de huesos u otras operaciones plásticas en la cara,
  - no puede sentir el calor o es insensible al calor.
- No emplee el SkinVivid con las siguientes irritaciones o enfermedades de la piel:
  - alergia,
  - acné,
  - eczemas,
  - dermatitis, enrojecimiento o irritación de la piel (también quemaduras del sol),

- hinchazón en la zona facial,
  - heridas en la cara,
  - soriasis,
  - neurodermatitis.
- No utilice el SkinVivid cerca de heridas abiertas o para eliminar verrugas.
  - Interrumpa el tratamiento de inmediato si aparecen dolor o irritación.
  - No trate la piel más de dos o tres segundos seguidos con el SkinVivid.
  - Si no está seguro de si el SkinVivid es adecuado para usted, consulte al médico antes del primer uso.

## **¡AVISO!**

### **¡Riesgo de daños!**

El manejo inadecuado del SkinVivid puede dañar el SkinVivid.

- Proteja el SkinVivid frente a golpes, temperaturas extremas y la radiación solar directa.
- Utilice el SkinVivid solo con accesorios originales.

- Mantenga el SkinVivid lejos de líquidos corrosivos.

## Primera puesta en servicio

### Comprobación del SkinVivid y del volumen de suministro

#### **¡AVISO!**

#### **¡Riesgo de daños!**

Si abre el embalaje con un cuchillo afilado o con otros objetos puntiagudos sin tener cuidado, el SkinVivid puede dañarse rápidamente.

- Al abrirlo, proceda con mucho cuidado.

1. Saque el SkinVivid del embalaje.
2. Compruebe si el suministro está completo (véase la **fig. A**).
3. Compruebe si el SkinVivid o las piezas individuales presentan daños. Si así fuera, no utilice el SkinVivid.

Diríjase al centro de servicio técnico de Silk'n más cercano (consulte el capítulo "Información sobre la garantía").

## Carga del SkinVivid



Es normal que el SkinVivid se caliente durante el proceso de carga.

1. Cerciórese de que el SkinVivid esté apagado.
2. Desenrolle del todo el cable de carga USB **5**.
3. Conecte el jack del cable de carga USB a la conexión de carga **6** del SkinVivid.
4. Enchufe el conector USB del cable de carga USB a la toma USB del adaptador de red USB **4**.
5. Inserte el adaptador de red USB en una toma de corriente instalada de forma adecuada.

El indicador de carga **3** se ilumina en rojo durante el proceso de carga. El SkinVivid requiere unas 3 horas para la carga completa del acumulador.

6. Cuando el acumulador está cargado del todo, el indicador de carga se ilumina en azul. Desconecte el SkinVivid de la red eléctrica.

El acumulador presenta ahora 40 minutos de tiempo de funcionamiento.

## Preparación

1. Antes de usar el SkinVivid, límpiense la cara y la piel que tratará con sus productos de limpieza habituales.
2. Dado el caso, trate después la cara y la zona en cuestión de la piel con sus lociones de cuidado y cremas hidratantes habituales.
3. Si desea que los productos de cuidado de la piel se absorban más rápido, use el modo caliente con vibración sonora (consulte los capítulos "Uso del masaje caliente" y "Manejo") tras aplicárselos.



## Modo de masaje (caliente, frío, vibración sonora)



Cada modo que seleccione funciona automáticamente 2 ½ minutos. Después se apaga el SkinVivid.

### Uso del masaje caliente

El masaje caliente del SkinVivid a 42 °C estimula el riego sanguíneo de la piel y acelera la absorción de los productos de cuidado de la piel para obtener un cutis más liso y mejorar el equilibrio de la hidratación. Si activa además la vibración sonora, se refuerza el efecto del masaje caliente.

Este modo es óptimo tras la limpieza diaria de la cara.

### Uso del masaje frío

El masaje frío a 6 °C tersa la piel y reduce los poros. Además, el SkinVivid en este modo alivia las contracturas musculares, suaviza los ojos hinchados y reduce las arrugas. Si activa además la vibración sonora, se refuerza el efecto del masaje frío.

Este modo es óptimo tras la limpieza diaria de la cara y la aplicación completa de los productos de cuidado de la piel, pero antes de maquillarse.



Para obtener una piel aún más lisa, brillante y suave, recomendamos ir cambiando entre el masaje caliente y frío.

# Manejo



Mientras se carga el SkinVivid, no se puede usar.

1. Para encender el SkinVivid, mantenga presionado el botón de control **7** durante 3 segundos.

Suena un pitido, el piloto superior del indicador del modo de masaje **2** se ilumina en rojo y muestra que el SkinVivid está en el modo de masaje caliente.

2. Para encender también la vibración sonora, presione de nuevo el botón de control.

Suena un pitido y, aparte del piloto superior, ahora se ilumina también el inferior del indicador del modo de masaje en color amarillo. El SkinVivid está en modo de masaje caliente con vibración sonora.

3. Para pasar al modo de masaje frío, presione de nuevo el botón de control.

Suena un pitido, el piloto central del indicador del modo de masaje se ilumina en azul y muestra que el SkinVivid está en el modo de masaje frío.

4. Para encender también la vibración sonora, presione de nuevo el botón de control.

Suena un pitido y, aparte del piloto central, ahora se ilumina también el inferior del indicador del modo de masaje en color amarillo. El SkinVivid está en modo de masaje frío con vibración sonora.

5. Acérquese el SkinVivid a la cara y ponga el cabezal masajeador **8** sobre la zona de la cara que quiera.

6. Deje que el SkinVivid se deslice de dentro afuera o de arriba abajo en movimientos circulares, según la zona de la cara.

7. Para apagar el SkinVivid, mantenga presionado el botón de control durante 3 segundos.

Suena un pitido y los pilotos del indicador del modo de masaje se apagan.



Se recomienda recargar el SkinVivid tras 5 usos para optimizar los resultados gracias a la capacidad completa del acumulador.

## Consejos para el uso diario

Da igual si su piel es seca, grasa o sensible: el SkinVivid de Silk'n está indicado para cualquier tipo de piel.

### Ritual de día

Puede utilizar el masaje caliente, por ejemplo, por la mañana tras limpiarse la cara. A continuación, aplíquese el cuidado de día. Cuando se haya absorbido bien, utilice el masaje frío que es ideal, p. ej., para aliviar los ojos hinchados y para obtener una base lisa y óptima para maquillarse.

### Ritual de noche

También puede optar por el ritual de belleza integral por la noche, tras una jornada dura. Tras limpiarse la cara, emplee primero el masaje caliente para abrir los poros. A continuación, aplíquese el gel de ojos, una máscara de cuidado o una crema hidratante. Cuando los productos de cuidado estén bien absorbidos, use el masaje frío para cerrar los poros y rejuvenecer la piel.

# Limpieza

## ¡AVISO!

### ¡Riesgo de daños!

Si utiliza limpiadores y objetos de limpieza inadecuados, puede dañar el SkinVivid.

- No emplee limpiadores ni objetos de limpieza duros, abrasivos o que arañen.
- No sumerja el SkinVivid, el cable de carga USB ni el adaptador de red USB en agua u otros líquidos, ni meta nunca las piezas en el lavavajillas.
- Limpie el cabezal masajeador **8** y el SkinVivid con el paño de limpieza suministrado tras cada uso.
- No limpie el SkinVivid con agua.

## Búsqueda de fallos

En caso de fallo, primero intente solucionarlo con las siguientes medidas:

Fallo	Posibles causas y remedios
El SkinVivid no funciona.	<p>Es posible que el acumulador esté vacío o no esté suficientemente cargado.</p> <ul style="list-style-type: none"> <li>– Cargue el SkinVivid completamente antes de utilizarlo (consulte el capítulo "Carga del SkinVivid").</li> </ul>
No se aprecian efectos visibles.	<p>Ha olvidado limpiarse y tratarse la piel facial antes del uso.</p> <ul style="list-style-type: none"> <li>– Límpiase y trátase la piel conforme a las indicaciones del capítulo "Preparación".</li> </ul>
	<p>No usa el SkinVivid el tiempo suficiente ni de forma regular.</p> <ul style="list-style-type: none"> <li>– Utilice el SkinVivid periódicamente.</li> </ul>

Si estas medidas no funcionan o si se debe reparar el SkinVivid, póngase en contacto con el servicio de atención al cliente.

## Datos técnicos

Modelo:	I389
N.º artículo:	SVIPEU001
Potencia:	5,6 W

### Adaptador de red

Modelo:	SC/8WH050100EUU
Tensión de entrada:	100–240 V~; 50/60 Hz; 0,5 A
Tensión de salida:	5 V $\overline{=}$ , 1000 mA
Grado de protección:	II

### SkinVivid

Acumulador:	5 V $\overline{=}$ , 800 mAh
Duración de carga:	aprox. 3 h
Funcionamiento continuo:	aprox. 40 min (con carga completa)
Dimensiones (alto × ancho × profundo):	aprox. 15,2 × 4,8 × 4,3 cm
Temperatura del cabezal masajeador:	masaje caliente 42 °C ± 3 °C masaje frío 6 °C ± 3 °C
Apagado automático:	tras 2,5 minutos en cada modo
Peso:	aprox. 109 g

## Declaración de conformidad



La declaración de conformidad UE puede solicitarse en la dirección indicada en el dorso.

# Eliminación

## Eliminación del embalaje



Elimine el embalaje por tipos. El cartón y las láminas han de llevarse a un punto de recogida de papel usado y material respectivamente.

## Eliminación del SkinVivid

(Aplicable en la Unión Europea y en países europeos con sistemas de recogida separada de materiales.)

### ¡Los aparatos viejos no deben tirarse a la basura doméstica!



Cuando el SkinVivid no se utiliza más, cada consumidor está obligado **por ley, a depositar sus equipos en desuso fuera de la basura doméstica**, por ej. a dejarlos en un depósito de su comunidad o de su barrio. Así se garantiza que los aparatos viejos se reutilicen adecuadamente y se evitan efectos negativos sobre el medio ambiente. Por este motivo los equipos eléctricos se señalan con este símbolo.

### ¡Las pilas y los acumuladores no deben tirarse a la basura doméstica!



Como consumidor, usted está obligado legalmente a llevar todas las pilas y acumuladores – independientemente de que contengan sustancias nocivas\* o no – a un punto de recogida de su comunidad/barrio, o a la tienda, para que puedan eliminarse de forma respetuosa con el medio ambiente.

\*identificadas con: Cd = cadmio, Hg = mercurio,  
Pb = plomo

## **Información sobre la garantía**

Este producto está cubierto por una garantía de 2 años conforme a la normativa y la legislación europea. La cobertura de la garantía de este producto se limita a defectos técnicos causados por fallos en los procesos de producción. Si quiere hacer servir la garantía, infórmese a través de nuestro servicio de atención al cliente. Quizá puedan solucionar su problema sin que tenga que enviar el producto a la tienda o a nuestro centro de servicio técnico. ¡Nuestro servicio de atención al cliente estará encantado de ayudarle!

## **Servicio de atención al cliente**

Tiene más información sobre los productos de Silk'n en el sitio web regional de Silk'n: [www.silkn.eu](http://www.silkn.eu). Si el equipo está dañado o defectuoso, si necesita una reparación o nuestra ayuda, diríjase al centro de servicio técnico de Silk'n más cercano. También puede descargar el manual de usuario como PDF en [www.silkn.eu](http://www.silkn.eu).

Número de servicio técnico: 807088200 | 0031(0)180-330550

E-mail: [servicioalcliente@silkn.eu](mailto:servicioalcliente@silkn.eu)



Copyright 2017 © Home Skinovations Ltd. Tutti i diritti riservati.

## Note legali

Home Skinovations Ltd. si riserva il diritto di modificare i propri prodotti o le loro caratteristiche per migliorarne prestazioni, affidabilità o producibilità. Al momento della pubblicazione, le informazioni fornite da Home Skinovations Ltd. sono da ritenersi accurate e affidabili. Tuttavia, Home Skinovations Ltd. non assume alcuna responsabilità riguardo al loro utilizzo. Non viene concesso alcun diritto di licenza implicito né altro diritto desumibile in base a brevetti o diritti di brevetto di Home Skinovations Ltd.

Senza esplicito permesso scritto di Home Skinovations Ltd. non è consentita la riproduzione né la trasmissione, in qualsiasi forma o con qualsiasi mezzo, elettronico o meccanico, di parti di questo documento, per qualsiasi scopo. I dati sono soggetti a modifiche senza preavviso.

Relativamente all'oggetto del presente documento, Home Skinovations Ltd. detiene brevetti approvati e in via d'approvazione, marchi, copyright e ogni altro diritto di proprietà intellettuale. Al di fuori di quanto espressamente previsto da specifici accordi scritti con Home Skinovations Ltd. la distribuzione del presente documento non implica la concessione di alcuna licenza su detti brevetti, marchi, copyright o qualsiasi altro diritto di proprietà intellettuale. Le specifiche sono soggette a modifiche senza preavviso.

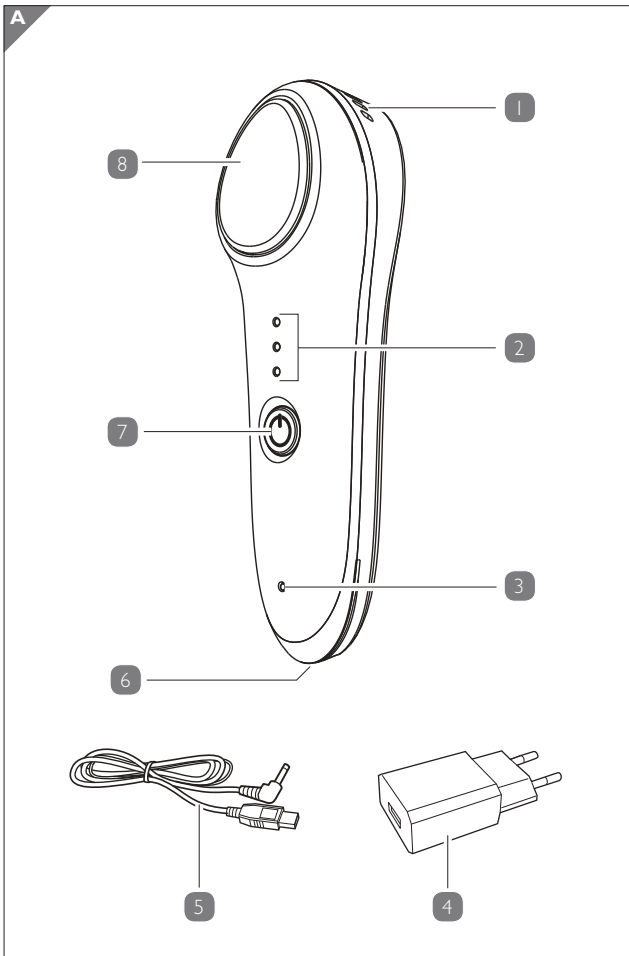
Silk'n e il logo Silk'n sono marchi registrati di Home Skinovations Ltd.

InnoEssentials International,  
Donk 1B,  
2991 LE Barendrecht,  
Paesi Bassi

[www.silkn.eu](http://www.silkn.eu)  
[info@silkn.com](mailto:info@silkn.com)

# Indice

<b>Visione d'insieme .....</b>	<b>131</b>
<b>Dotazione/parti dell'apparecchio .....</b>	<b>132</b>
<b>Informazioni generali .....</b>	<b>133</b>
Leggere e conservare il manuale d'uso.....	133
Descrizione pittogrammi .....	133
<b>Sicurezza.....</b>	<b>135</b>
Utilizzo conforme all'uso previsto.....	135
Avvertenze di sicurezza.....	135
<b>Prima messa in funzione .....</b>	<b>142</b>
Controllare SkinVivid e il contenuto della confezione.....	142
Caricare SkinVivid.....	143
<b>Preparazione .....</b>	<b>144</b>
<b>Modalità di massaggio (calda, fredda, vibrazione sonora).....</b>	<b>144</b>
Utilizzare il massaggio caldo .....	144
Utilizzare il massaggio freddo.....	145
<b>Utilizzo .....</b>	<b>145</b>
<b>Consigli per l'uso quotidiano .....</b>	<b>147</b>
Rituale mattutino.....	147
Rituale serale .....	147
<b>Pulizia .....</b>	<b>148</b>
<b>Ricerca anomalie.....</b>	<b>149</b>
<b>Dati tecnici.....</b>	<b>150</b>
<b>Dichiarazione di conformità .....</b>	<b>150</b>
<b>Smaltimento.....</b>	<b>151</b>
<b>Informazioni sulla garanzia .....</b>	<b>152</b>
<b>Servizio di assistenza clienti .....</b>	<b>152</b>



## Dotazione/parti dell'apparecchio

- 1 Presa d'aria
- 2 Icona per la modalità di massaggio
  - Icona per massaggio caldo
  - Icona per massaggio freddo
  - Icona per vibrazioni sonore
- 3 Indicatore di carica
- 4 Adattatore di rete USB
- 5 Cavo di ricarica USB
- 6 Porta di ricarica
- 7 Manopola di controllo
- 8 Testina massaggiante

## Informazioni generali

### Leggere e conservare il manuale d'uso



Il presente manuale d'uso appartiene al presente massaggiatore per il viso SkinVivid (di seguito chiamato solo "SkinVivid"). Contiene informazioni importanti relative alla messa in funzione e all'utilizzo.

Prima di mettere in funzione SkinVivid leggere attentamente il manuale d'uso, in particolar modo le avvertenze di sicurezza.

Il mancato rispetto del presente manuale d'uso può provocare ferimenti gravi o danni a SkinVivid.

Il manuale d'uso si basa sulle norme e direttive vigenti nell'Unione europea. All'estero rispettare anche linee guida e normative nazionali.

Conservare il manuale d'uso per un utilizzo futuro. In caso di cessione di SkinVivid a terzi, consegnare anche il manuale d'uso.

Il presente manuale d'uso può essere richieste anche in formato PDF nella nostra homepage al sito [www.silkn.eu](http://www.silkn.eu).

### Descrizione pittogrammi

Nel presente manuale d'uso, su SkinVivid o sull'imballaggio sono riportati i seguenti simboli e le seguenti parole d'avvertimento.



Questo simbolo/parola d'avvertimento indica un pericolo a rischio medio che, se non evitato, può avere come conseguenza la morte o un ferimento grave.



Questo simbolo/parola d'avvertimento indica un pericolo a basso rischio che, se non evitato, può avere come conseguenza un ferimento lieve o medio.

## AVVISO!

Questa parola d'avvertimento indica possibili danni a cose.



Questo simbolo dà utili informazioni aggiuntive sull'utilizzo.



Dichiarazione di conformità (vedi capitolo "Dichiarazione di conformità"): I prodotti etichettati con questo simbolo sono conformi a tutte le norme comunitarie applicabili nello Spazio economico europeo.



Non utilizzare SkinVivid vicino a vasche da bagno, docce o altri contenitori con acqua.



Questo simbolo identifica gli apparecchi elettrici di classe di protezione II (adattatore di rete).



Gli apparecchi elettrici identificati con questo simbolo sono adeguati per l'uso in ambienti interni.

## Sicurezza

### Utilizzo conforme all'uso previsto

SkinVivid viene utilizzato esclusivamente per levigare, rafforzare e migliorare l'elasticità della pelle mediante massaggio caldo e freddo. SkinVivid è adatto a tutti i tipi di pelle. Le donne incinte e le persone con ustioni sulla pelle, acne, allergie o pelle irritata o altro non possono utilizzare SkinVivid.

SkinVivid è destinato esclusivamente a uso privato e non è adatto all'uso industriale, ad esempio, in saloni di bellezza. Proteggere SkinVivid da qualsiasi condizione meteorologica e non utilizzarlo in ambienti umidi. SkinVivid non è un giocattolo.

Utilizzare SkinVivid proprio come descritto nel presente manuale d'uso. Ogni altro utilizzo è da intendersi come non conforme alla destinazione d'uso e può provocare danni a cose.

InnoEssentials non si assume alcuna responsabilità per i danni dovuti all'uso non conforme alla destinazione o all'uso scorretto.

### Avvertenze di sicurezza



#### Pericolo di scosse elettriche!

La scorretta installazione elettrica o l'eccessiva tensione di rete può provocare scosse elettriche.

- Collegare SkinVivid solo se la tensione di rete della presa di corrente corrisponde ai dati riportati sulla targhetta.

- Collegare SkinVivid solo a una presa di corrente ben accessibile in modo tale che, in caso di malfunzionamento, sia possibile staccarlo velocemente dalla rete elettrica.
- Non utilizzare SkinVivid se presenta danni visibili e se il cavo di ricarica USB o l'adattatore di rete USB sono difettosi.
- Se il cavo di ricarica di SkinVivid è deteriorato, dovrà essere sostituito con un cavo di ricarica USB con pari specifiche per evitare pericoli. Rivolgersi al rivenditore o all'assistenza post-vendita.
- Non aprire l'involucro, ma far eseguire la riparazione a personale qualificato. Per farlo, rivolgersi al rivenditore o all'assistenza post-vendita.
- In caso di riparazioni eseguite in proprio, allacciamento non corretto o errato utilizzo, si escludono responsabilità e diritti di garanzia.
- Per le riparazioni, utilizzare solo componenti che corrispondono alle specifiche originali dell'apparecchio. SkinVivid contiene parti elettriche e meccaniche che sono indispensabili per la protezione da fonti di pericolo.



- Non immergere in acqua né in altri liquidi SkinVivid, il cavo di ricarica USB o l'adattatore di rete USB.
- Non toccare l'adattatore di rete USB con mani umide.
- Mai estrarre SkinVivid tirandolo dal cavo di ricarica USB dalla presa di corrente, bensì sempre dall'adattatore di rete USB.
- Tenere SkinVivid, l'adattatore di rete USB e il cavo di ricarica USB lontani da fiamme libere e superfici roventi.
- Non piegare il cavo di ricarica e non farlo passare lungo spigoli vivi.
- Utilizzare SkinVivid solo in ambienti chiusi.
- Non conservare SkinVivid in ambienti umidi e non esporlo a condizioni atmosferiche quali ad esempio la pioggia.
- Non riporre mai SkinVivid in posizione tale che possa cadere in una vasca o in un lavandino.
- Mai cercare di afferrare un apparecchio elettrico collegato alla rete elettrica se è caduto in acqua. In tale eventualità staccare subito l'adattatore di rete USB dalla presa di corrente.

- Non toccare l'adattatore di rete USB con mani umide.
- Se SkinVivid è completamente carico o se dev'essere pulito, lasciare SkinVivid spento e scollegare l'adattatore di rete dalla presa di corrente.
- Non avvicinarsi con SkinVivid a forti campi magnetici.
- Non utilizzare SkinVivid durante il processo di ricarica.



### **Pericolo d'esplosione o incendio!**

L'uso improprio della batteria ricaricabile aumenta il rischio di esplosione e incendio.

- Non esporre mai SkinVivid a calore come alla luce diretta del sole, a fiamme libere o simili.
- Se SkinVivid è completamente carico, scollegare l'adattatore di rete USB dalla presa di corrente.



**Pericolo per bambini o persone con ridotte capacità fisiche, sensoriali o mentali (ad esempio disabili parziali, persone anziane con limitazione delle loro capacità fisiche e mentali) o mancanza di esperienza e conoscenze (ad esempio bambini meno piccoli).**

- I seguenti gruppi di persone non possono utilizzare SkinVivid: bambini, persone di età inferiore ai 16 anni, adulti con capacità fisiche, sensoriali o mentali ridotte e persone che non hanno sufficiente esperienza nell'uso del dispositivo.
- La pulizia e manutenzione non devono essere eseguite da bambini senza la sorveglianza di un adulto.
- Tenere SkinVivid e i suoi accessori lontani da bambini di età inferiore ai 16 anni.
- La dotazione comprende la pellicola di imballaggio. Tenerla fuori dalla portata dei bambini, in quanto sussiste il rischio di soffocamento per ingestione.

**ATTENZIONE!****Pericolo di ustione con acido!**

La perdita di acido della batteria ricaricabile può causare lesioni a contatto con la pelle o altre parti del corpo.

- Se la batteria ricaricabile di SkinVivid perde acido, indossare guanti protettivi ed evitare il contatto dell'acido con la pelle, gli occhi e le mucose.
- In caso di contatto con l'acido della batteria ricaricabile, lavare immediatamente e abbondantemente con acqua e consultare immediatamente un medico.

**ATTENZIONE!****Pericolo di ferimenti!**

Un uso improprio di SkinVivid può causare lesioni.

- Non usare SkinVivid:
  - in gravidanza,
  - se si soffre di disturbi neurologici,
  - se si è subito un intervento di chirurgia plastica facciale,

- in caso di allergia al freddo, al caldo o alla gomma morbida,
  - in caso di protesi in metallo, silicone o plastica per fratture ossee o altri interventi di chirurgia plastica nella zona facciale,
  - se non si avverte o si è insensibili al calore.
- Non utilizzare SkinVivid in caso delle seguenti irritazione della pelle o malattie:
- allergia,
  - acne,
  - eczema,
  - infiammazione della pelle, arrossamenti o irritazioni (incluse scottature),
  - gonfiore sul viso,
  - ferite sul viso,
  - psoriasi,
  - neurodermite.
- Non utilizzare SkinVivid vicino a ferite aperte o per la rimozione di verruche.
- Interrompere il trattamento immediatamente se si avverte dolore o irritazione della pelle.
- Trattare la pelle non più di due o tre secondi continuativi con SkinVivid.

- Se non si è certi se SkinVivid sia appropriato, consultare il medico prima del primo utilizzo.

## **AVVISO!**

### **Pericolo di danneggiamento!**

L'uso improprio di SkinVivid può danneggiarlo.

- Proteggere SkinVivid da colpi, temperature estreme e dai raggi diretti del sole.
- Utilizzare SkinVivid solo con gli accessori originali.
- Tenere SkinVivid lontano da liquidi corrosivi.

## **Prima messa in funzione**

### **Controllare SkinVivid e il contenuto della confezione**

## **AVVISO!**

### **Pericolo di danneggiamento!**

Se si apre la confezione con un coltello affilato o altri oggetti appuntiti senza prestare sufficiente attenzione, si può danneggiare velocemente SkinVivid.

– Quindi nell'aprire la confezione fare molta attenzione.

1. Estrarre SkinVivid dall'imballaggio.
2. Controllare se la fornitura è completa (vedi **Fig. A**).
3. Controllare che SkinVivid o le parti singole non siano stati danneggiati. Nel caso fosse danneggiato, non utilizzare SkinVivid. Rivolgersi al centro di assistenza Silk'n più vicino (vedi capitolo "Informazioni sulla garanzia").

## Caricare SkinVivid



È normale che SkinVivid si riscaldi durante la ricarica.

1. Assicurarsi che SkinVivid sia spento.
2. Srotolare il cavo di ricarica USB **5** completamente.
3. Inserire il connettore jack del cavo di ricarica USB nella porta di ricarica **6** di SkinVivid.
4. Collegare la spina USB del cavo di ricarica USB nella porta USB dell'adattatore di rete USB **4**.
5. Collegare l'adattatore di rete USB in una presa di corrente adeguata.  
L'indicatore di carica **3** si illumina in rosso durante il processo di ricarica. SkinVivid richiede circa 3 ore per ricaricare completamente la batteria ricaricabile.
6. Quando la batteria ricaricabile è completamente carica, l'indicatore di carica diventa blu. Scollegare SkinVivid dalla rete.  
La batteria ricaricabile ha un tempo di funzionamento di 40 minuti.

## Preparazione

1. Prima di utilizzare SkinVivid, pulire il viso e la pelle da trattare con i prodotti per la pulizia abituali.
2. Se necessario, mantenere il viso e la pelle da trattare con le lozioni e le creme idratanti per la pelle abituali.
3. Se si desidera applicare questi prodotti per la cura della pelle più velocemente, dopo aver distribuito la crema usare la modalità calda con vibrazione sonora (vedi capitolo "Utilizzare il massaggio caldo" e "Utilizzo").

## Modalità di massaggio (calda, fredda, vibrazione sonora)



Ogni modalità selezionata dura in automatico per 2 minuti e mezzo. Dopo di che, SkinVivid si spegne.

## Utilizzare il massaggio caldo

Il massaggio caldo con SkinVivid a 42 °C promuove il flusso di sangue alla pelle e permette di applicare in modo veloce i prodotti per la cura della pelle per un colorito più uniforme e una migliore idratazione. Accendere la vibrazione sonora per aumentare l'effetto del massaggio caldo.

Utilizzare questa modalità soprattutto dopo la pulizia del viso di tutti i giorni.



## Utilizzare il massaggio freddo

Il massaggio a freddo rassoda la pelle a 6 °C e restringe i pori. Inoltre, SkinVivid in questo modo dissolve la tensione muscolare, allevia il gonfiore agli occhi e riduce le rughe. Accendere la vibrazione sonora per aumentare l'effetto del massaggio freddo.

Utilizzare questa modalità soprattutto dopo la pulizia del viso quotidiana e per un completo assorbimento dei prodotti di cura della pelle e anche prima di applicare il trucco.



Per ottenere anche una pelle più liscia e luminosa, si consiglia di alternare l'uso del massaggio caldo e freddo.

## Utilizzo



Durante la ricarica di SkinVivid, questo non può essere utilizzato.

1. Per attivare SkinVivid, tenere premuto la manopola di controllo **7** per 3 secondi.

Viene emesso un segnale acustico, la spia superiore dell'icona per la modalità di massaggio **2** si accende di colore rosso per indicare che SkinVivid è in modalità di massaggio caldo.

2. Per attivare anche la vibrazione sonora, premere nuovamente la manopola di controllo.

Viene emesso un segnale acustico e la spia superiore e inferiore dell'icona per la modalità di massaggio si accendono di colore giallo. SkinVivid è in modalità di massaggio caldo con vibrazione sonora.

3. Per passare alla modalità di massaggio freddo, premere nuovamente la manopola di controllo.

Viene emesso un segnale acustico, la spia centrale dell'icona per la modalità di massaggio si accende di colore blu per indicare che SkinVivid è in modalità di massaggio freddo.

4. Per attivare anche la vibrazione sonora, premere nuovamente la manopola di controllo.

Viene emesso un segnale acustico e la spia centrale e inferiore dell'icona per la modalità di massaggio si accendono di colore giallo. SkinVivid è in modalità di massaggio freddo con vibrazione sonora.

5. Passare SkinVivid sul viso e impostare la testina massaggiante **8** nella zona desiderata del viso.

6. Muovere SkinVivid a seconda della zona della pelle con un movimento circolare dall'interno verso l'esterno o farlo scorrere dall'alto verso il basso.

7. Per disattivare SkinVivid, tenere premuta la manopola di controllo per 3 secondi.

Viene emesso un segnale acustico e la spia nell'icona per la modalità di massaggio si spegne.



Si consiglia di ricaricare SkinVivid dopo 5 applicazioni, al fine di ottenere le migliori prestazioni grazie alla massima capacità della batteria ricaricabile.

## Consigli per l'uso quotidiano

Indipendentemente dal fatto di avere una pelle secca, grassa o sensibile, SkinVivid di Silk'n è adatto a tutti i tipi di pelle.

### Rituale mattutino

È possibile utilizzare il massaggio caldo, ad esempio, al mattino dopo la pulizia del viso. Successivamente, continuare con il trattamento da giorno. Se questo è ben applicato, utilizzare il massaggio freddo, che è adatto, ad esempio, per alleviare gli occhi gonfi e creare una base liscia per applicare il trucco.

### Rituale serale

Oppure optare per un rituale di bellezza completo, la sera, dopo una giornata intensa. Utilizzare, dopo la pulizia del viso, prima il massaggio caldo con cui è possibile dilatare i pori. Quindi applicare un gel per occhi, una maschera idratante o una crema idratante. Se i prodotti sono ben applicati, utilizzare il massaggio freddo per chiudere i pori e aiutare a ringiovanire la pelle.

## Pulizia

### AVVISO!

#### **Pericolo di danneggiamento!**

Qualora si utilizzino detergenti o utensili per la pulizia sbagliati, si rischia di danneggiare SkinVivid.

- Non utilizzare detergenti e oggetti per la pulizia duri, che graffiano o abrasivi.
- Non immergere in acqua né in altri liquidi SkinVivid, il cavo di ricarica USB o l'adattatore di rete USB e non mettere mai le parti in lavastoviglie.
- Pulire la testina massaggiante **8** e SkinVivid dopo ogni utilizzo con il panno di pulizia in dotazione.
- Non pulire SkinVivid con acqua.

## Ricerca anomalie

In caso di anomalie, tentare sempre di aiutarsi mediante le seguenti azioni:

<b>Errore</b>	<b>Possibile causa e rimedio</b>
SkinVivid non funziona.	Forse la batteria ricaricabile è scarica o non sufficientemente carica. <ul style="list-style-type: none"> <li>– Caricare completamente SkinVivid prima dell'uso (vedi capitolo "Caricare SkinVivid").</li> </ul>
Risultano effetti non visibili.	Si è dimenticato di pulire o idratare la pelle del viso prima dell'uso. <ul style="list-style-type: none"> <li>– Pulire e idratare la pelle seguendo le istruzioni fornite nel capitolo "Preparazione".</li> </ul>
	Non usare SkinVivid troppo a lungo o non regolarmente. <ul style="list-style-type: none"> <li>– Usare regolarmente SkinVivid.</li> </ul>

Se suddette azioni non hanno rimosso l'anomalia o se SkinVivid deve essere riparato, si prega contattare l'assistenza post-vendita.

## Dati tecnici

Modello:	I389
N.articolo:	SVIPEU001
Potenza:	5,6 W


### Adattatore di rete

Modello:	SC/8WH050100EUU
Tensione d'ingresso:	100–240 V~; 50/60 Hz; 0,5 A
Tensione d'uscita:	5 V $\overline{=}$ , 1000 mA
Classe di protezione:	II

### SkinVivid

Batteria ricaricabile:	5V $\overline{=}$ , 800 mAh
Durata della ricarica:	circa 3 h
Durata funzionamento:	ca. 40 min (completamente carico)
Dimensioni (A x L x P):	ca. 15,2 x 4,8 x 4,3 cm
Temperatura testina massaggiante:	massaggio caldo 42 °C ± 3 °C massaggio freddo 6 °C ± 3 °C
Spegnimento automatico:	dopo 2,5 minuti in qualsiasi modalità
Peso:	ca. 109 g

## Dichiarazione di conformità

 È possibile richiedere la dichiarazione di conformità CE all'indirizzo riportato sul retro.

# Smaltimento

## Smaltimento dell'imballaggio



Smaltire l'imballaggio differenziandolo. Conferire il cartone alla carta da riciclo e pellicole nella plastica da riciclo.

## Smaltimento di SkinVivid

(Applicabile nell'Unione Europea e in altri paesi europei con sistemi di raccolta differenziata.)

### Apparecchi dismessi non vanno smaltiti nei rifiuti domestici!



Se un giorno SkinVivid non dovesse essere più utilizzabile, ogni consumatore **è obbligato per legge, a smaltire gli apparecchi dismessi, separatamente dai rifiuti domestici** per esempio presso un centro di raccolta comunale/di quartiere. In questo modo è sicuro che gli apparecchi dismessi vengono correttamente smaltiti e si evitano ripercussioni negative sull'ambiente. Per questo motivo gli apparecchi elettrici vengono contrassegnati dal simbolo qui riprodotto.

### Le batterie e le batterie ricaricabili non devono rifiuti domestici!



In qualità di consumatore è obbligato per legge a smaltire tutte le batterie o batterie ricaricabili, indipendentemente se contengono sostanze dannose\* presso un centro di raccolta del proprio comune/quartiere in modo che possano essere smaltite in tempo reale.

\*contrassegnate da: Cd = cadmio, Hg = mercurio, Pb = piombo

## **Informazioni sulla garanzia**

La garanzia di questo prodotto è pari a due anni secondo le regole e le leggi europee. La vastità della garanzia per questo prodotto si limita a vizi tecnici, causati da processi di produzione sbagliati. Nel caso voleste rivendicare i diritti di garanzia, si prega di procurarsi le istruzioni presso il nostro servizio di assistenza clienti. Forse è in grado di risolvere il vostro problema, senza che il prodotto debba essere restituito al negozio o al nostro centro di assistenza tecnica. Il nostro servizio di assistenza clienti sarà lieto di aiutarvi!

## **Servizio di assistenza clienti**

Per ulteriori informazioni sui prodotti di Silk'n si trovano al vostro sito regionale Silk'n: [www.silkn.eu](http://www.silkn.eu). Se l'apparecchio dovesse essere danneggiato o difettoso, è necessario ripararlo o se avete bisogno del nostro aiuto, vi preghiamo di rivolgervi al centro di assistenza tecnica Silk'n nelle vs. vicinanze. Potete anche scaricare il manuale d'uso dal sito [www.silkn.eu](http://www.silkn.eu) sotto forma di file PDF.

Numero assistenza: 0031 (0) 180-330550

E-mail: [servizioclientiit@silkn.eu](mailto:servizioclientiit@silkn.eu)







InnoEssentials International  
Donk IB, 2991 LE Barendrecht  
The Netherlands  
E-mail: [info@silkn.com](mailto:info@silkn.com)

InnoEssentials Deutschland GmbH  
Bahnhofstr. 7, 49685 Emstek  
Deutschland  
E-mail: [info@inno-essentials.de](mailto:info@inno-essentials.de)

[www.silkn.eu](http://www.silkn.eu)